



Heavy Weight Pan-Tilt Driver (Outdoor)

Features

- ▶ Outdoor Weather proof Medium Pan/Tilt Driver
- ▶ Max. load 30 Kg
- ▶ Preset (Option)

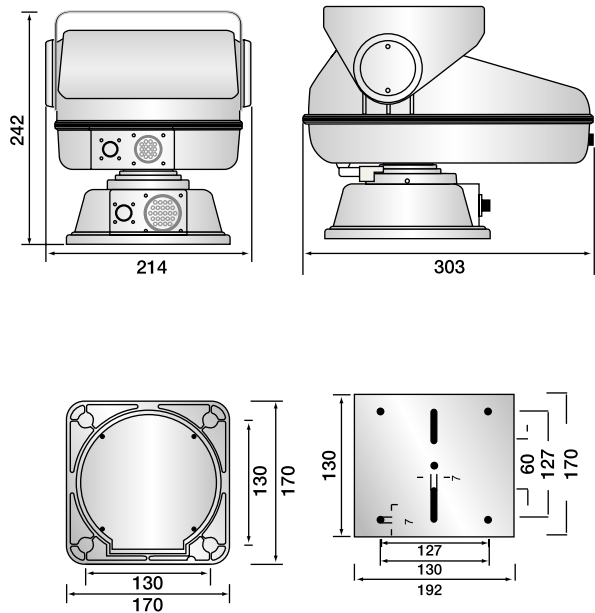


GPT-350

Technical Information

Model	GPT-350	
Application	Outdoor	
Angle Range	Pan	Max, 350°
	Tilt	-70° ~ +20°
Angle Speed	Pan	6°/sec
	Tilt	4°/sec
Load	Max, 30Kg	
Power Voltage	AC220V, 50/60Hz	
Power Consumption	Pan : 25,3W, Tilt : 25,3W	
Operating Temperature	-25℃ ~ +60℃	
Operating Humidity	Max, 90%RH	
Dimensions (WxHxD)	214 x 242 x 303 mm	
Weight	8,2Kg	
Material	ABS, Aluminum Dicasting	
Color	Light Gray, Enamel	

Dimensions & Connections



(Unit : mm)