

# PAN/TILT DRIVER

## GPT-201/ GPT-201A/ GPT-201P

### ●TABLE OF CONTENTS ●

1. INTRODUCTION
2. SPECIFICATIONS
3. NOTES FOR INSTALLATION
4. HOW TO MOUNT THE CAMERA HOUSING
5. HOW TO CHANGE THE ROTATION ANGLE
6. HOW TO CABLE CONNECTION
7. APPEARANCE SIZE
8. CIRCUIT DIAGRAM
9. WARRANTY

## 1. INTRODUCTION

This product is a medium-sized PAN/TILT DRIVER for outdoor which can be rotated vertically or horizontally by the remote-control unit. Especially, it is suited for the dusty or rainy place. It is very easy to control the angle of the camera from the outside by the built-in limit switch for on-the-job conditions.









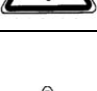


You can make a good choice because it has a series of several products such as **AUTO-PAN FUNCTION**(GPT-201A) and **PRESET POSITION FEEDBACK**(GPT-201P).

**\* Be sure to read the instruction in this manual section carefully before use.**

## 2. SPECIFICATIONS

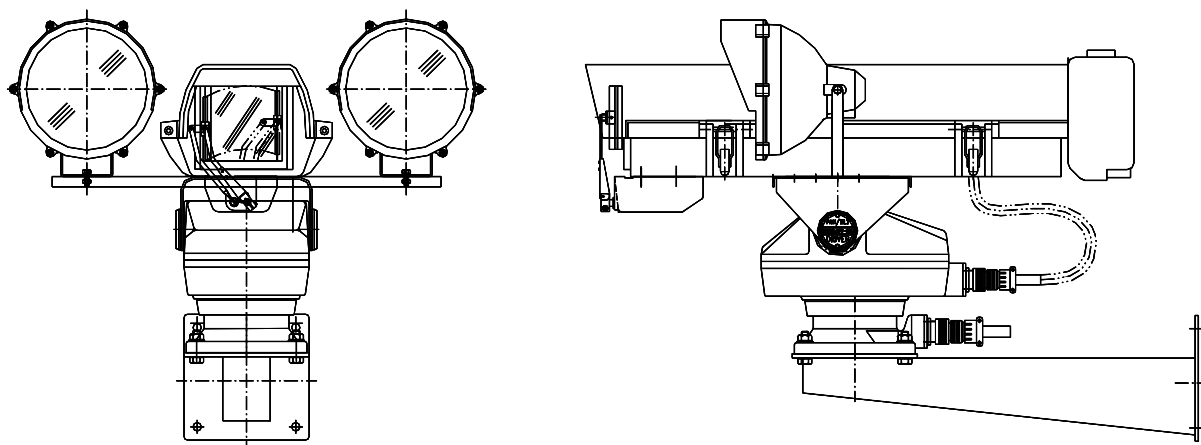
- Material Aluminum die casting
- Color Light Ivory or Light Gray(Munsell No. 5Y8/1)
- Rotating angle Pan 0° to 355°  
Tilt -60° to +30° (-90° to +30° , option)
- Rotating speed Pan 6.2° /sec ± 0.6 / Tilt 3.1° /sec ± 0.5  
(Pan 12° /sec / Tilt 6° /sec, option)
- Loading weight 30 kg at 100mm from tilt table surface to C.G
- Electric power Pan 6w / Tilt 15w
- Input power AC24V/110V/220V, 60/50Hz
- Temperature -25℃ to +50℃
- Weight About 11kg
- Size 294L×252H×204W
- Protection IP54(KSC0904, IEC529 2<sup>nd</sup> edition )

### 3. NOTES FOR INSTALLATION

	Before operating the unit, you must read this user's manual thoroughly and retain it for future reference.
	Before cleaning the unit, you must remove it from the wall or bracket. You must clean it with a wet cloth. Never use liquid cleanser.
	Never attach any other things to the unit as this could lead to danger.
	Be careful not to put this unit on an unstable stand, tripod, shelf or table.
	Do not leave the unit in a location near heat sources or humidifier. This unit needs ventilation.
	Use AC24/110/220V and 3-wire ground type is available.
	When this unit rotates, you must keep the control cable not to be tight or twisted.
	Be careful of electric overload on the electric terminal or extension cable, otherwise there can be risk of fire.
	You must entrust an expert with the installation.
	You must stop operating this unit and never connect the connector of the cable to the unit in case of the following. <ul style="list-style-type: none"> <li>- In case of the control cable being damaged</li> <li>- When any liquid or unfavorable material fall into the unit</li> <li>- When the unit doesn't work properly according to the instruction</li> <li>- When the unit fell down or the cabinet was damaged</li> </ul>
	You must make an expert examine the accessories whether they have the same specific character when you need replacement of them.

### 4. HOW TO MOUNT THE CAMERA HOUSING

- 4.1 Before installing the housing, make the camera lens face forward on the tilt table.
- 4.2 Fasten the bolt(UNC 1/4) adequately.
- 4.3 Make the center of gravity be placed in the middle of the rotating axis.
- 4.4 Be careful in installing pan/tilt out of touch with the wall or ceiling because it is to protect the lens of camera.



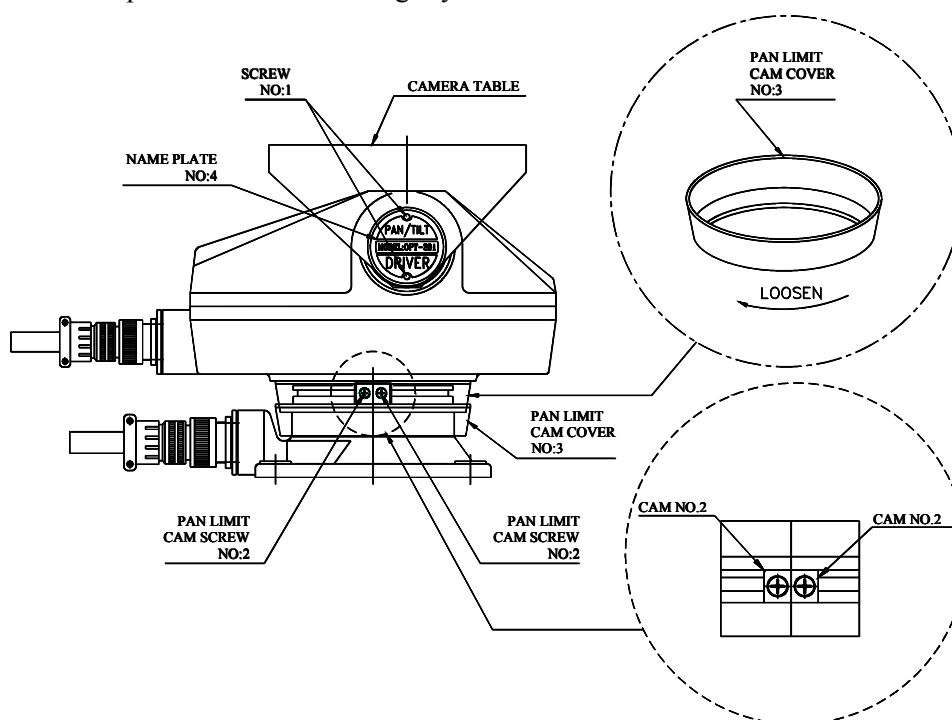
### [Housing Setting]

## 5. HOW TO CHANGE THE ROTATION ANGLE

This product is adjusted to the angle at a level with  $170^\circ$  and up  $20^\circ$  / down  $50^\circ$ . Therefore, if you would like to change the rotating angle, fix up the limit cam to the angle at your request.

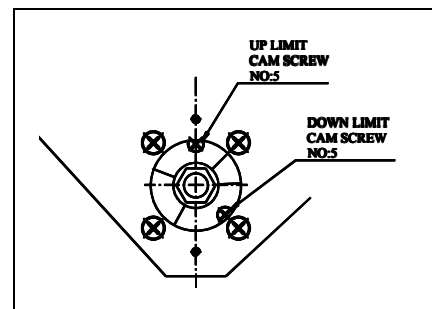
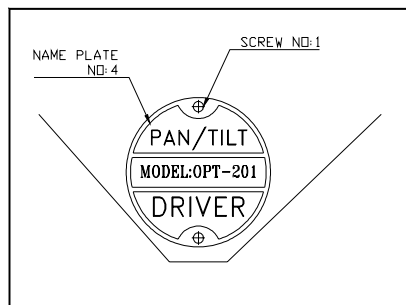
### 5.1 How to control the angle(PAN)

- 5.1.1 Loosen the pan limit cam cover counterclockwise.
- 5.1.2 Loosen pan limit cam screw and then fix it up on the favorable place.
- 5.1.3 Lock the pan limit cam cover slightly.



### 5.2 How to control the angle (TILT)

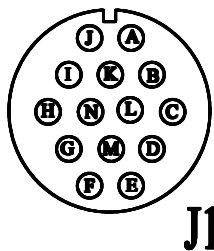
- 5.2.1 Loosen the screw 1 and then remove the name plate 4.
- 5.2.2 Loosen up/down limit cam screw a little and fix it up at your request.
- 5.2.3 Be careful not to loosen the screw too much. In that case the cam inside come out, it will be impossible to adjust the pan/tilt upwards or downwards.



## 6. HOW TO CABLE CONNECTION

### 6.1 J1 CONNECTOR (PAN/TILT/LENS CONTROL INPUT)

- GPT-201 / GPT-201A / GPT-201P



**J1**

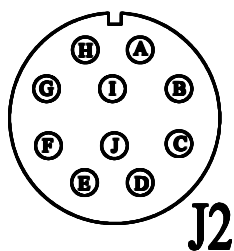
PIN No.	FUNCTION
A	UP
B	DOWN
C	RIGHT
D	LEFT
E	P/T COM
F	GPT-201/GPT-201P(AC POWER) GPT-201A(AUTO PAN)
G	AUX.
H	AUX.
I	AUX.
J	AUX.
K	AUX.
L	AUX.
M	AUX.(LIGHT)
N	AUX.(LIGHT)

\* AUX. : LENS CONTROLL / LIGHT / WIPER etc.

\* **LIGHT:MUST USE PIN NO. M,N**

## 6.2 J2 CONNECTOR (LENS CONTROL OUTPUT)

- GPT-201 / GPT-201A

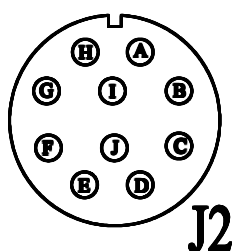


PIN No.	FUNCTION
A	AC COM(P/T COM)
B	GPT-201(AC POWER) GPT-201A(NONE)
C	AUX.
D	AUX.
E	AUX.
G	AUX.
H	AUX.
I	AUX.(LIGHT)
J	AUX.(LIGHT)

\* AUX. : LENS CONTROLL / LIGHT / WIPER etc.

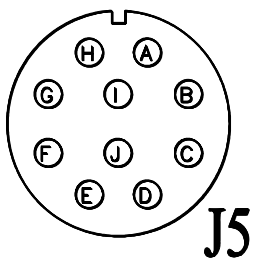
## 6.3 J5 CONNECTOR (PRESET CONTROL INPUT)

- GPT-201P



PIN No.	FUNCTION
A	AC COM(P/T COM)
B	AC POWER
C	AUX.
D	AUX.
E	AUX.
F	AUX.
G	AUX.
H	AUX.
I	AUX.(LIGHT)
J	AUX.(LIGHT)
K	AUX
L	AUX.
M	AUX.
N	AUX.

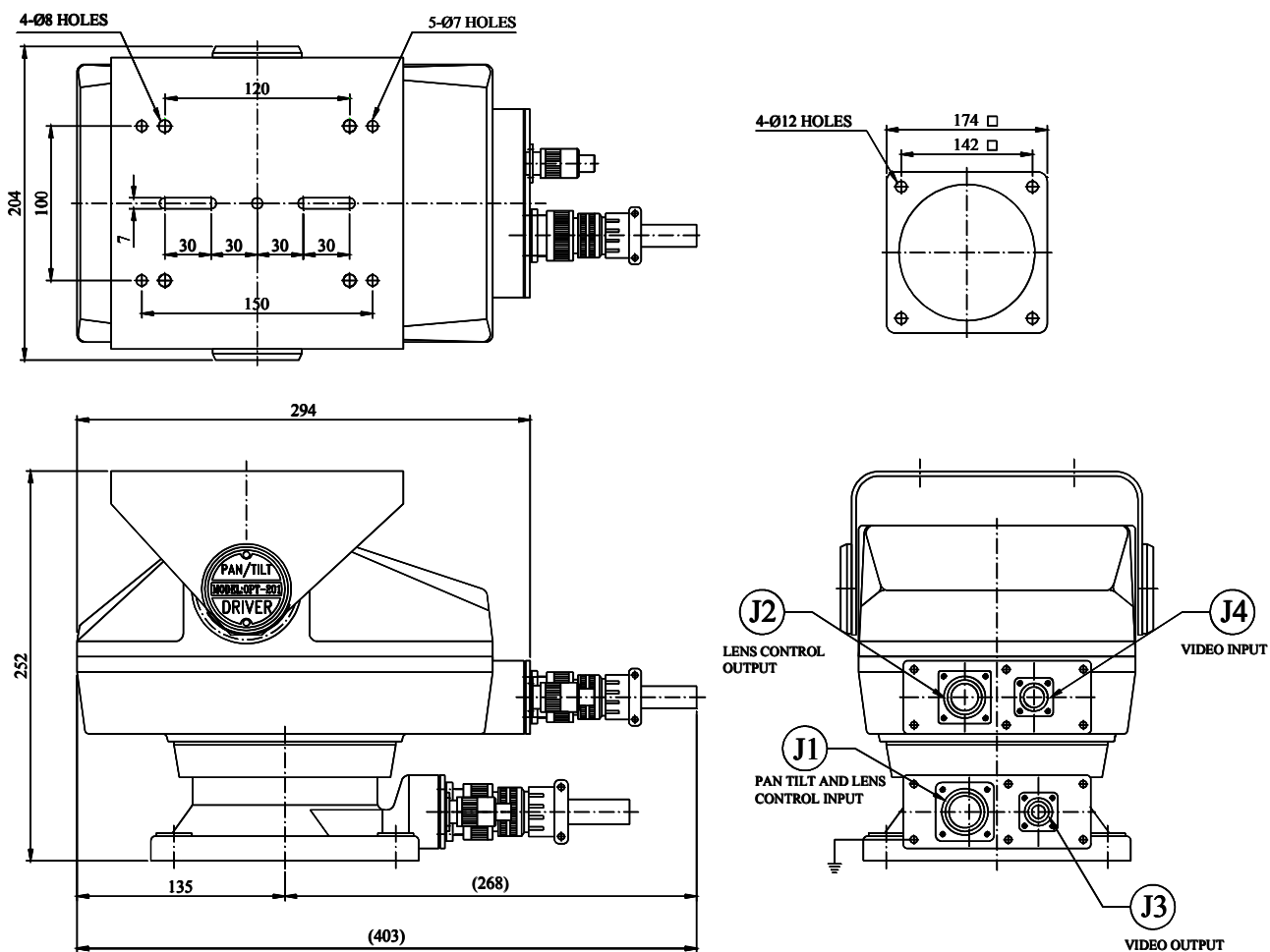
\* AUX. : LENS CONTROLL / LIGHT / WIPER etc.

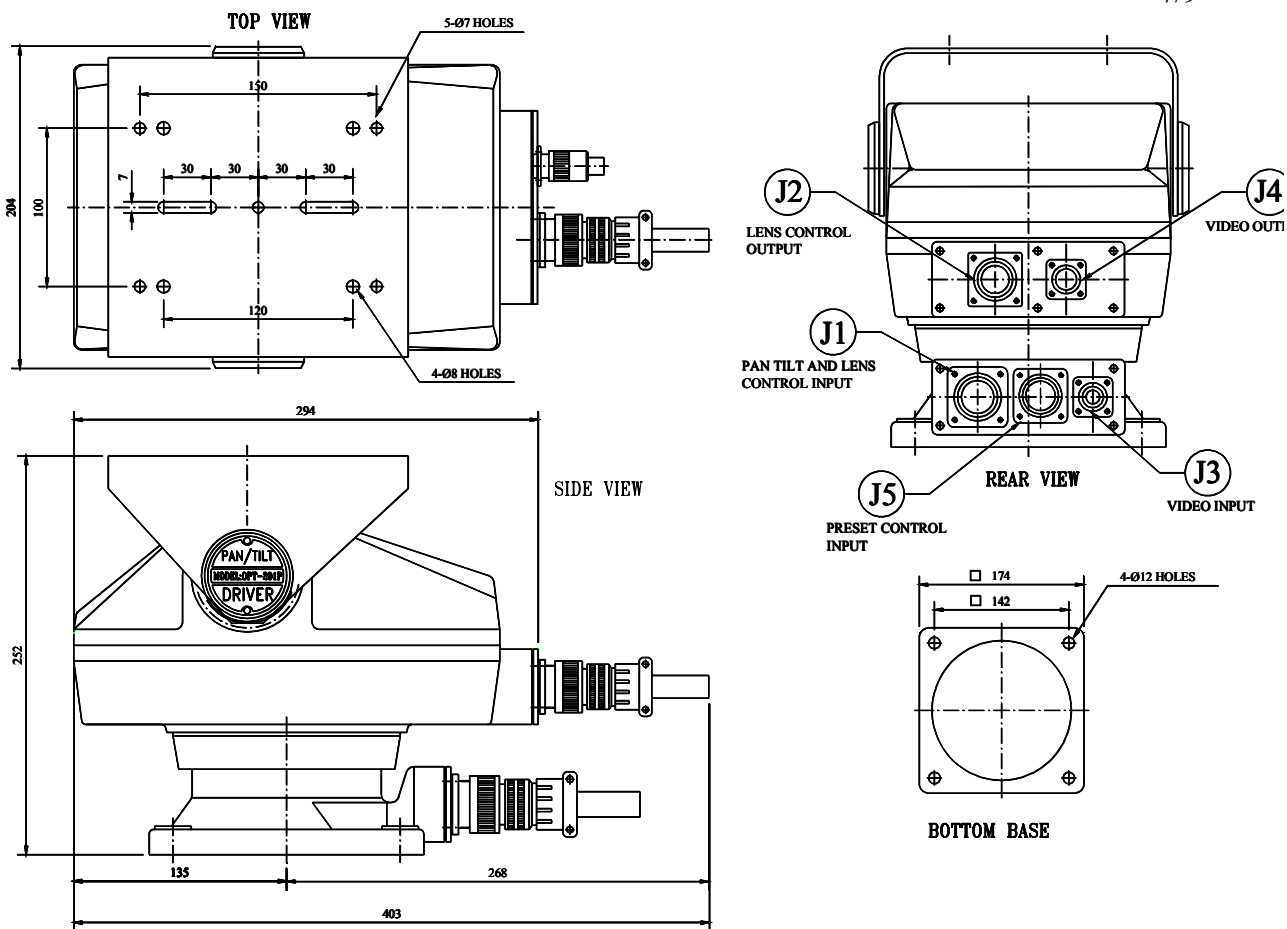


PIN No.	FUNCTION
A	AUX.
B	AUX.
C	AUX.
D	AUX.
E	COM3
F	PRESET SENSOR (RIGHT 0 Ω ↔ LEFT 5k Ω)
G	COM1
H	PRESET SENSOR (UP 0 Ω ↔ DOWN 5k Ω)
I	N.C
J	N.C

\* AUX. : LENS CONTROL / LIGHT / WIPER etc.

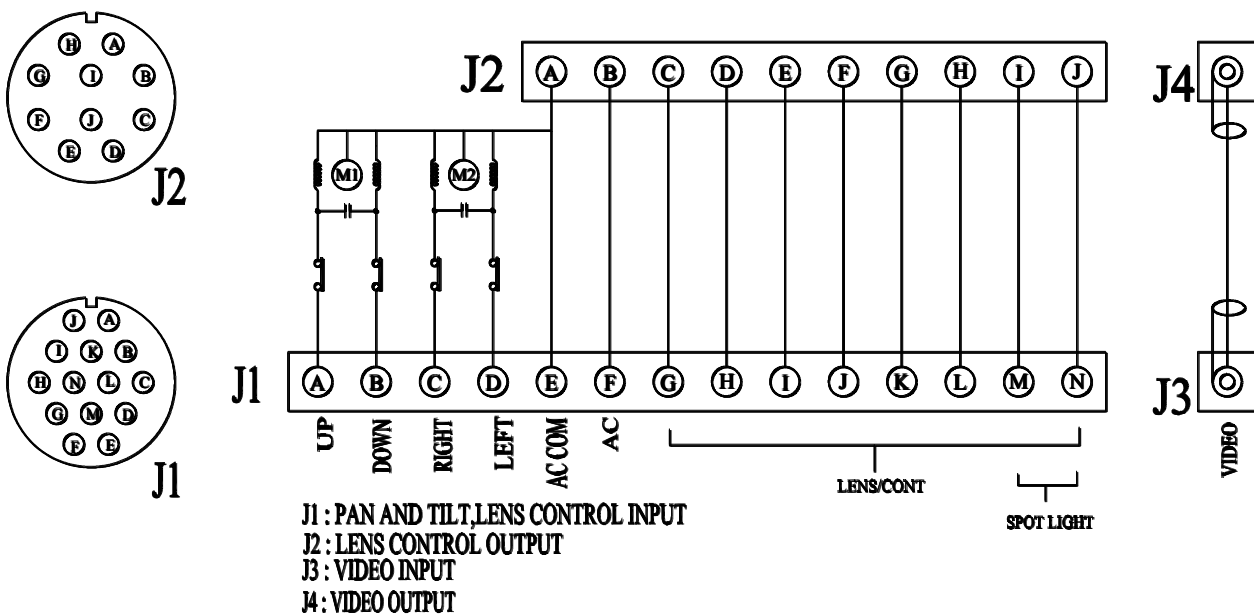
### 7. APPEARANCE SIZE



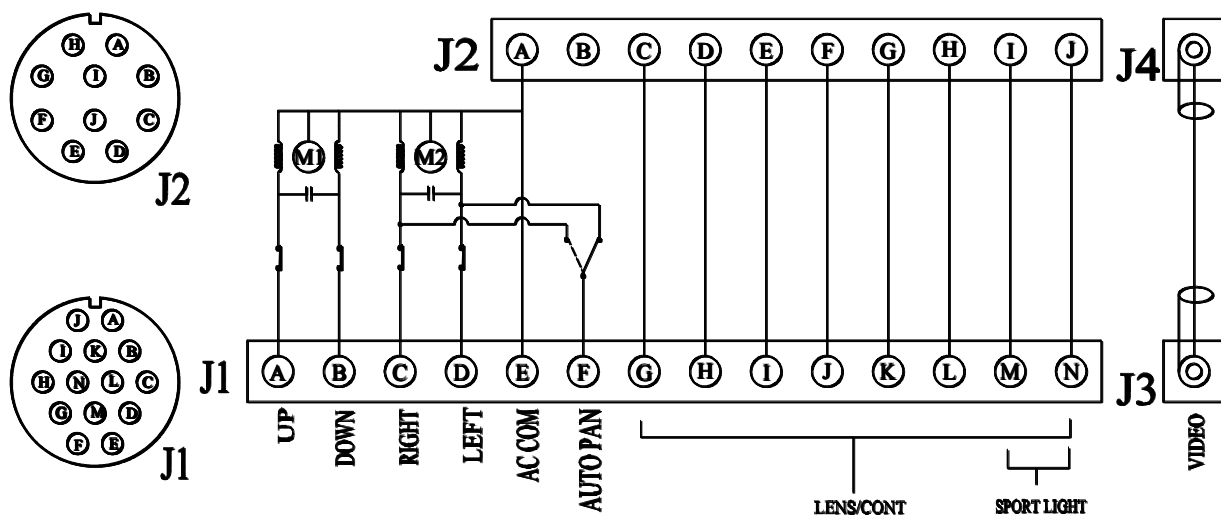


[GPT-201P]

8. CIRCUIT DIAGRAM



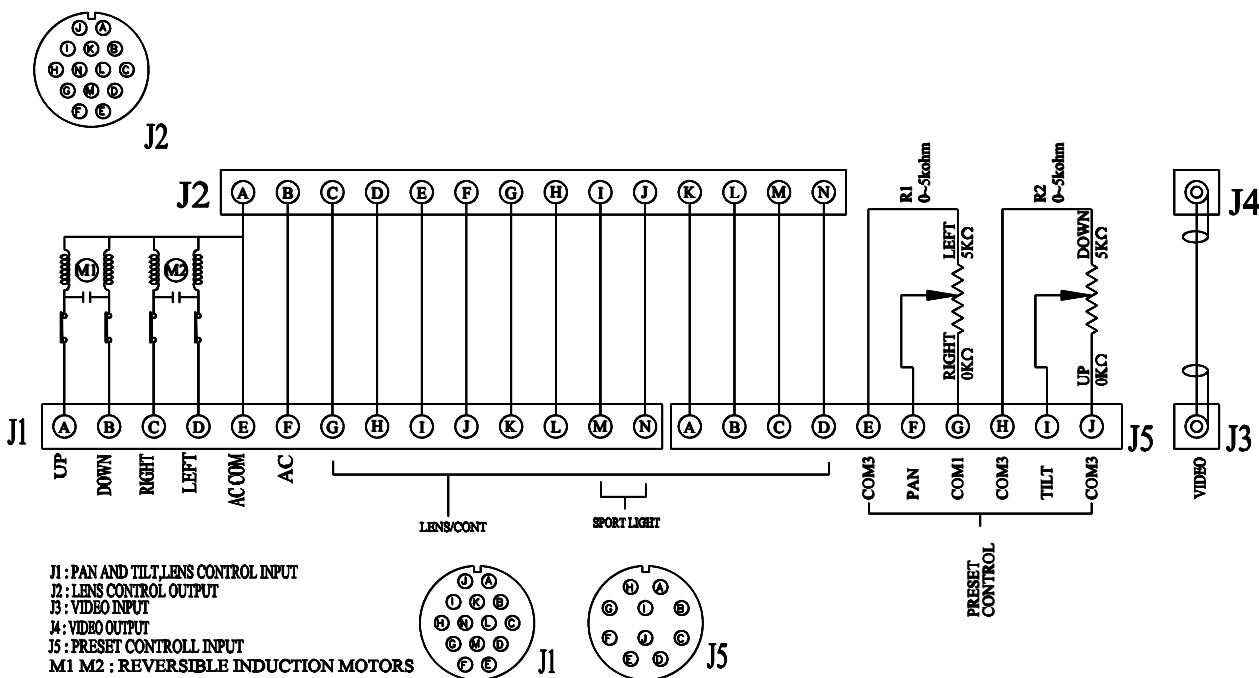
[GPT-201]



J1 : PAN AND TILT,LENS CONTROL INPUT  
 J2 : LENS CONTROL OUTPUT  
 J3 : VIDEO INPUT  
 J4 : VIDEO OUTPUT

M1 M2 : REVERSIBLE INDUCTION MOTORS

[GPT-201A]



J1 : PAN AND TILT,LENS CONTROL INPUT  
 J2 : LENS CONTROL OUTPUT  
 J3 : VIDEO INPUT  
 J4 : VIDEO OUTPUT  
 J5 : PRESET CONTROL INPUT  
 M1 M2 : REVERSIBLE INDUCTION MOTORS

[GPT-201P]



## 9. WARRANTY

- **Product Warranty**

<b>MODEL</b>		<input type="checkbox"/> GPT-201 <input type="checkbox"/> GPT-201A <input type="checkbox"/> GPT-201P
<b>SERIAL No.</b>		
<b>Date of Purchased</b>		
<b>Place of Purchased</b>		
<b>Customer</b>	<b>Name</b>	
	<b>Address</b>	

If the product breaks down during proper use, it will be repaired within 1 year from the date of purchase free of charge.

Please contact us (Tel : +82-2-799-6109 / Fax : +82-2-749-6119 / [cctv@honeywell.co.kr](mailto:cctv@honeywell.co.kr), [cctv@honeywell.com](mailto:cctv@honeywell.com)) and let us know the problem briefly if you want to repair the products.

Design and specifications subject to change without notice for improving quality.

- **Service Details**

<b>Date</b>	<b>Details</b>	<b>Agency/Dealer</b>	<b>Repairman</b>