

HDC-655 Series

HDC-655NC-G
AF Dome, x230, RS-485, NTSC

HDC-655PC-G
AF Dome, x230, RS-485, PAL



Built-in Optical Zoom Lens

KEY FEATURES

- x23 Zoom built-in Auto Focus Dome camera with Cast Aluminum Alloy Housing and 4.7" Poly-carbonate Dome
- Easy installation & operation
- High Durability of MTBF 1 M Cycles
- Excellent Auto focus tracking (Auto / One shot / Manual mode)
- Excellent 49dB of S/N ratio provides natural image
- Remote Control through RS-485 Interface

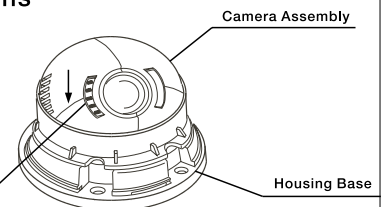
CONNECTIONS

Names & Functions

Upside

Camera Control Key
(Arrow Direction)

Menu ON - MENU
Focus Control - FAR
Focus Control - NEAR
Zoom Out - WIDE
Zoom On - TELE



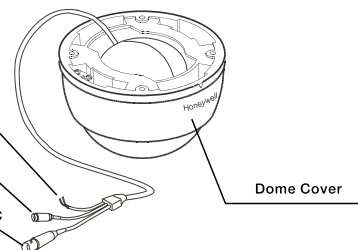
Downside

Camera Control
RS485 Communication

Power Input
(Be Careful its Polarity)

- +

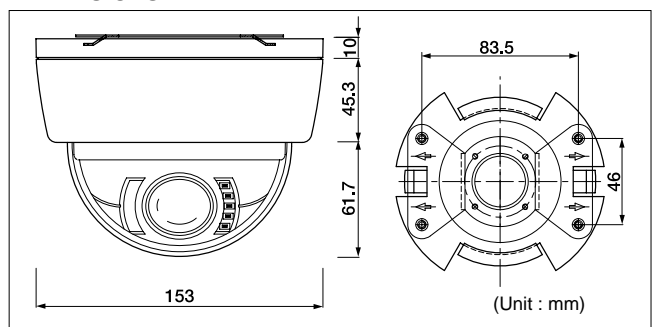
Composite Video Output BNC
(1Vpp, 75 Ω terminated)



SPECIFICATIONS

Model No.	HDC-655NC	HDC-655PC
Pick-up Device	1/4" Sony Super HAD CCD, 410k Pixels	
Effective Pixels	768 (H) x 494 (V)	752 (H) x 582 (V)
Television System	NTSC, 525 TV Lines, 2:1 Interlace	PAL, 625 TV Lines, 2:1 Interlace
Sync. System	Internal / External (VD pulse lock)	
Horizontal Resolution	470 TV Lines	450 TV Lines
Minimum Illumination	1.0 lx (30 IRE, Color)	
Shutter Speed	1/60 ~ 1/10k (28 steps)	1/50 ~ 1/10k (28 steps)
Electronic Exposure	ON / OFF	
S/N Ratio	More than 49dB (AGC off)	
AGC	High / Medium / Low	
White Balance	ATW / AWC / Indoor / Outdoor / MWB	
BLC	ON / OFF / Auto (5Area Adjustable)	
Video Output	Composite (1.0Vp-p), 75 Ω / S-VHS Output	
Lens	Focal Length f = 3.8 ~ 87.4 mm Zoom Rate x23 (x24 ~ x230 : Digital Zoom x10) F1.6 (Wide) ~ F 3.8 (Tele)	
On screen display	ON / OFF	
Control Key	Menu, Focus, Zoom	
Camera Remote Control	RS-485	
Mount	Ceiling	
Material	Polycarbonate dome (with light tint) custom cast aluminum housing	
Cable	Power, Video, RS-485	
Operating Temp.	-5°C ~ 60°C (Recommended -5°C ~ 50°C)	
Operating Humidity	0% RH ~ 90% RH	
Storage Temp., Humidity	-10°C ~ 60°C, 0% RH ~ 90% RH	
Power Source	DC12V ± 1V (Constant Voltage)	
Power Consumption	Maximum 4.5W (Motor Drive), 3.0W (Motor Stop)	
Dimensions	153(Ø) x 117(H) mm	
Weight	1.1 kg	
Certification	FCC (HDC-655NC), CE (HDC-655PC)	

DIMENSIONS



Manual Function Control (Using RS-485)

Following functions can be controlled manually

- 1) NEGA/POSI : Negative/Positive
- 2) Digital Zoom : x2 ~ x10 (Addition to Optical Zoom)
- 3) Iris Control : Auto/Manual (Manual Iris level UP/DOWN)
- 4) AGC : 8 dB ~ 38 dB Adjustable
- 5) White Balance : Auto/Manual/Indoor/Outdoor/ATW
- 6) Manual White Balance : R, B UP/DOWN
- 7) 64 Positions Zoom/Focus Preset
- 8) Power ON / OFF
- 9) Quick Zoom Control : TELE/WIDE
- 10) Focus : Auto/Manual/One shot (PushAuto)
- 11) Manual Focus : NEAR/FAR
- 12) On Screen Display Menu : ALL Display / only Top / only Bottom Display off
- 13) 28 Steps Shutter Speed Control
- 14) Back Light Compensation : ON/OFF/AUTO
- 15) Back Light level : 00 ~ 80
- 16) Color : ON / OFF
- 17) Mirror : ON / OFF
- 18) Zoom Speed : High/Medium/Low
- 19) Oneshot AF time : 1 sec. ~ 9 sec.
- 20) AF sensitivity : High/Low
- 21) Communication Baud-rate : 1,200bps ~ 115,200bps
- 22) AE sensitivity : High/Low
- 23) Minimum shooting distance : 1cm ~ Infinity (∞)