

## HSDC-251 Series



### HSDC-251NE

High speed PTZ Dome, x200, D&N, DSS, NTSC

### HSDC-251PE

High speed PTZ Dome, x200, D&N, DSS, PAL

### HSDC-251NXE

High speed PTZ Dome, x200, EX-View, D&N, DSS, NTSC

### HSDC-251PXE

High speed PTZ Dome, x200, EX-View, D&N, DSS, PAL



Built-in Optical Zoom Lens

### KEY FEATURES

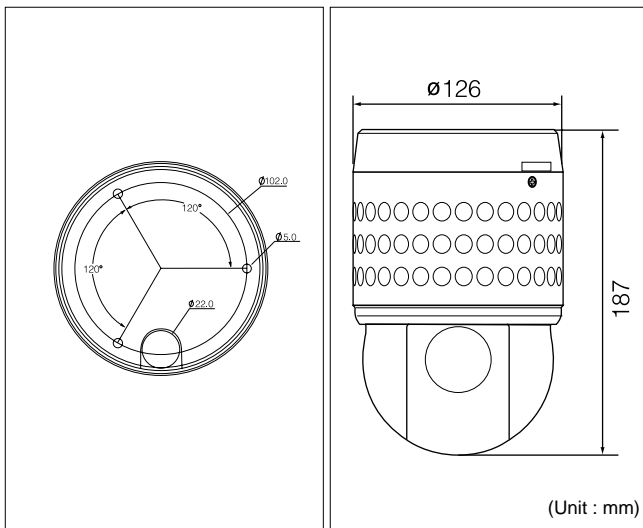
- Built-in x25 optical power zoom lens (Total : x250 zoom with digital x10 zoom)
- Built-in Super HAD CCD(Sony) or Exview CCD(Sony)
- True night shot function with IR cut filter removal mechanism
- 248 Presets : programmed with view direction, focus, iris and BLC
- 4 Patterns : record and play back user preference of surveillance path up to 240 sec.
- 16 Scans : 8 speed steps(1 to 8) for Scan with two speed steps for DiagonalScan(Slow/Medium)
- 8 Tours : each tour consists up to 64 Presets, Patterns, Scans and other Tours
- 8 Alarm inputs with 0~8 priority / 2 Auxiliary outputs programmable NC/NO
- 8 Privacy Zones : video off or up to masked block with selectable 8 colors
- 64 steps of variable speed for panning from 0.1°/sec. to 90°/sec.
- Maximum manual speed 360°/sec. with Turbo key pressed, Preset speed : 380°/sec.
- Minimum adjustable angle is 0.0375° with SingleStep move function
- programmable user preferences of speed (Slow / Medium / Fast)
- Addressable up to 999 camera IDs (Extend up to 3999 setting at factory menu)
- Built-in RS-485/RS-422 receiver driver
- On-site software upgrade and upload/download of programmed data into the Keyboard/Dome
- Built-in power-line surge protection and lightning protection
- Capable of fail-safe hot swap
- Supporting multiple protocol
- Smooth 180 ° tilting with digital flip function

### SPECIFICATIONS

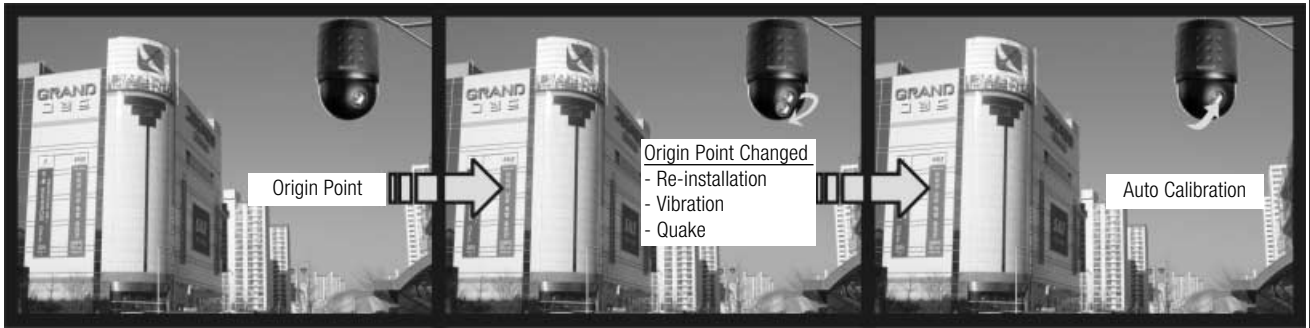
Image sensor	HSDC-251NE : 1/4" Super HAD color CCD (Sony), NTSC HSDC-251PE : 1/4" Super HAD color CCD (Sony), PAL HSDC-251NXE : 1/4" Exview color CCD (Sony), NTSC HSDC-251PXE : 1/4" Exview color CCD (Sony), PAL
Effective Pixels	NTSC : 768 (H) x 494 (V), Approx. 380k Pixels PAL : 752 (H) x 582 (V), Approx. 440k Pixels
Horizontal resolution	NTSC : 470 TV Lines    PAL : 460 TV Lines
Video output	Composite (1.0Vp-p), 75 Ω, BNC
Minimum illumination	HSDC-251NE/PE : 1.0 lx (30IRE) : Night shot OFF 0.1 lx (30IRE) : Night shot ON 0.01 lx : x128 Field integration(DSS) ON 0.005 lx (30IRE) : Night shot & DSS ON  HSDC-251NXE/PXE : 0.7 lx (30IRE) : Night shot OFF 0.06 lx (30IRE) : Night shot ON 0.008 lx : x128 Field integration(DSS) ON 0.0005 lx (30IRE) : Night shot & DSS ON
S/N ratio	More than 50dB (AGC OFF)
White Balance	Manual / Auto / Indoor / Outdoor / One push / ATW
Back light compensation	BLC ON, AUTO & BMB (7 level)
Zoom ratio	Optical : x25 with auto focus (Total x250 with digital x10)
F-number	F1.6 (wide) ~ F3.7 (tele)
Focal length	f=3.8mm ~ 95mm
View of angle	56.2° (wide) ~ 2.4° (tele)
Dome size	4.8"
Angle	Pan : 360° continuous rotation / Tilt : 0°~180°
Speed	Manual    0.1° to 90°/sec. (proportional to zoom) With Turbo key    Maximum 360°/sec. Preset    Maximum 380°/sec., 64 steps of variable speed (0.1° to 90°/sec.)
Minimum adjustable angle	0.0375 ° with single step
Repeatability	0.2 °
Flip	Rotate 180 ° at bottom of tilt
Scan	16 Scan include DiagonalScan / 1 Auto pan
Preset position	248 positions with focus, iris, & BLC setting
Tour	8 tours, Consisting 64 preset, pattern, scan & other tour
Pattern	4 patterns, maximum duration : 240 sec
Input voltage	18 to 30VAC, 24VAC nominal, built-in power-line surge
Power requirement	24VAC/VDC, 850mA maximum
Power consumption	Maximum 20W
Alarm	Input    8 Normal dry contact (Selectable NC/NO) Output    2 Normal relays 24VDC/1A max. (Selectable NC/NO)
Control	RS-485/RS-422 Baud rate : 2400~230400bps (default : 9600bps)
Access time	0.75 second maximum preset recall time
ID (camera address)	Maximum 999 IDs Expandable up to 3999 setting at factory menu
Operating temperature	0°C to 50°C
Storage temperature	-20°C to 60°C
Humidity	Under 90 % RH (non-condensing)
Material	Dome bubble    Acrylic Body    Aluminum
Color	Dome bubble    Clear Body    Black
Size	126(Ø)x 187(H) mm
Weight	Approx. 1.2 kg
Certification	FCC (HSDC-251NE/NXE), CE (HSDC-251PE/PXE)

### INSTALLATION

### DIMENSIONS



**Auto Calibration Function**



**Camera Control**

248 Preset Position (BLC, BMB)  
8 Guard Tour  
4 Pattern  
16 Scan

8 Privacy Zone:  
Video off or up to  
masked block with  
selectable 8 colors  
(Block, Video off)

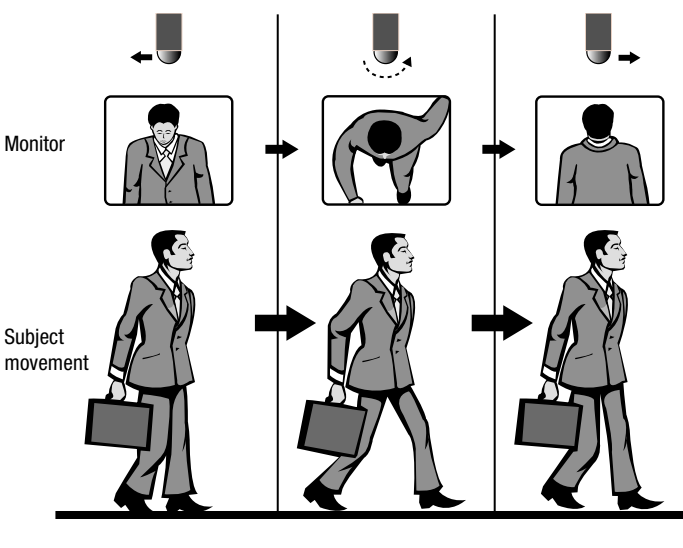
Alarm Operation

x25 Zoom

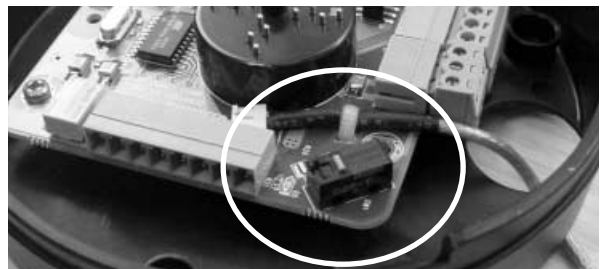
Day & Night

**Image Flip Function**

Digital auto flip for monitoring objects directly below



**Capable of fail-safe hot swap**



**Cooling Fan**



XGA SOLUTION

CAMERA

DOME

LENS

DVR

MONITOR & ACCESSORIES