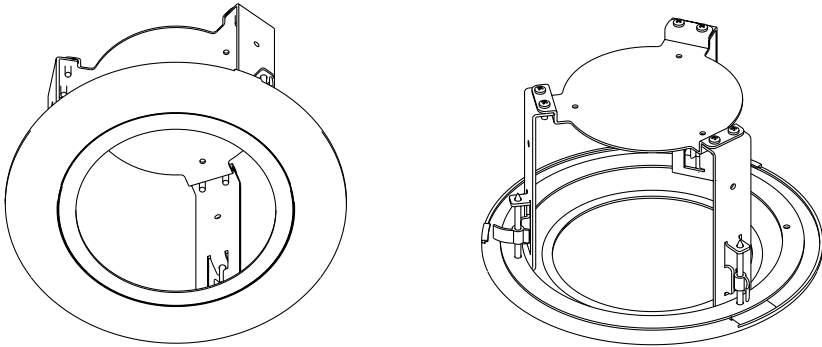


INSTRUCTION MANUAL

HSG-502F



FLUSH MOUNT HARDWARE

1. INTRODUCTION

This mounting device enables the dome camera to be mounted to the suspended ceiling. The mounting clamps, which are affixed to the ceiling tile, attach directly to the dome's mounting base for a quick and easy installation.

2. SPECIFICATIONS

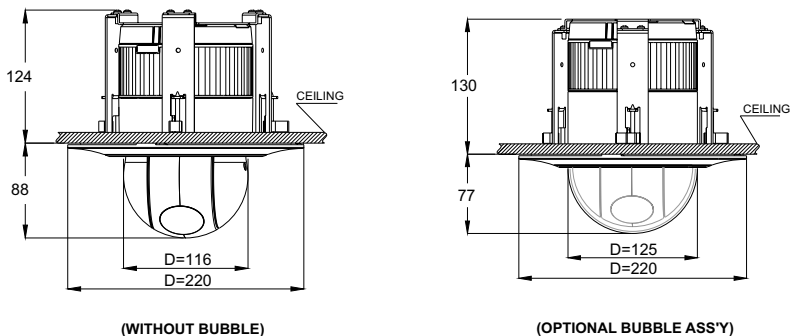


Figure 1 : Dimensions

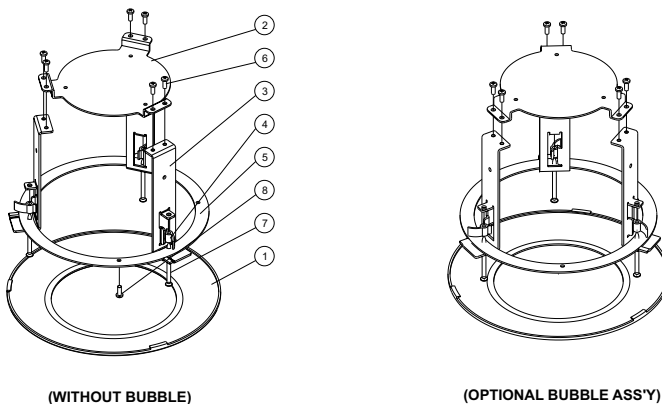
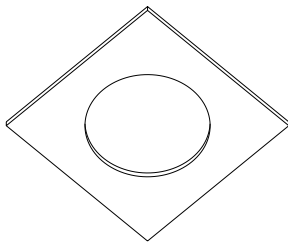
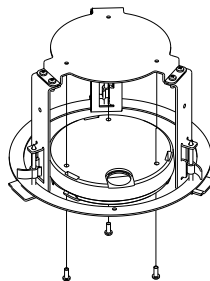
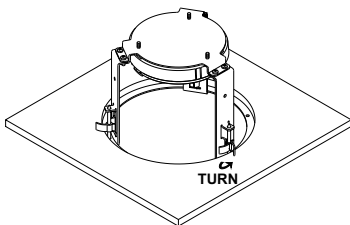
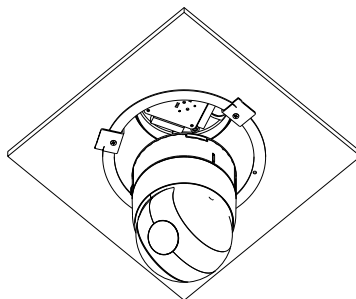
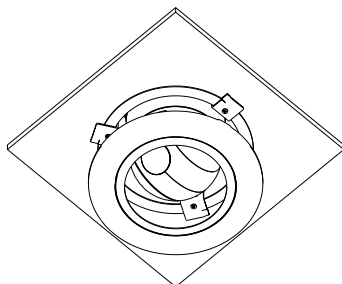
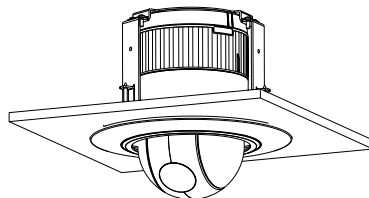


Figure 2 : Exploded Assembly

- Construction
- Maximum Load
- Dimension

Steel and molded plastic
 Approx 4.4lbs (2kg)
 Diameter = 22cm, Height = 13.5cm

3. INSTALLATION

**Figure 3****Figure 4****Figure 5****Figure 6****Figure 7****Figure 8**

If you want to install the optional bubble ring, you can change the cover ring of the dome camera to the bubble ring.

NOTE: The ceiling tile cannot be thicker than 0.9inch (2.4cm).

- A. Remove the ceiling tile from the ceiling. Draw a circle whose diameter is 184mm on the tile (You can use the carton with a hole). Cut the circle out of the ceiling tile.
- B. To install the dome camera, fasten the dome mounting base to the base bracket (Figure 2, 2) using 3 screws which are included in accessories.
- C. Insert the flush mount into the ceiling and turn the lever clamp (Figure 2, 4) to fasten the flush mount to the ceiling.

NOTE: To increase the safety, link the dome camera up the guide bracket (Figure 2, 3) using safety ring string which is included in accessories.

- D. Join the dome camera to the dome mounting base.
- E. Fix the trim ring (Figure 2, 1) to the flush mount.

EXPLODED ASSEMBLY PARTS LIST

Item	PART NAME	Q'ty	DESCRIPTION
1	TRIM RING	1	PLASTIC
2	BASE BRACKET	1	STEEL (EGI 1.6T)
3	GUIDE BRACKET	3	STEEL (EGI 2.0T)
4	LEVER CLAMP	3	AI
5	DOMES RING	1	STEEL (EGI 1.6T)
6	SCREW	6	SELF TAPPING M4x12
7	SCREW	3	M4 x 55
8	SCREW	1	M4 x 6
9	E-RING	3	∅4

ACCESSORY

Item	PART NAME	Q'ty
1	SAFETY RING STRING	1
2	SELF TAPPING(2) SCREW M4x12	5
3	SELF TAPPING(1) SCREW M4x12	1