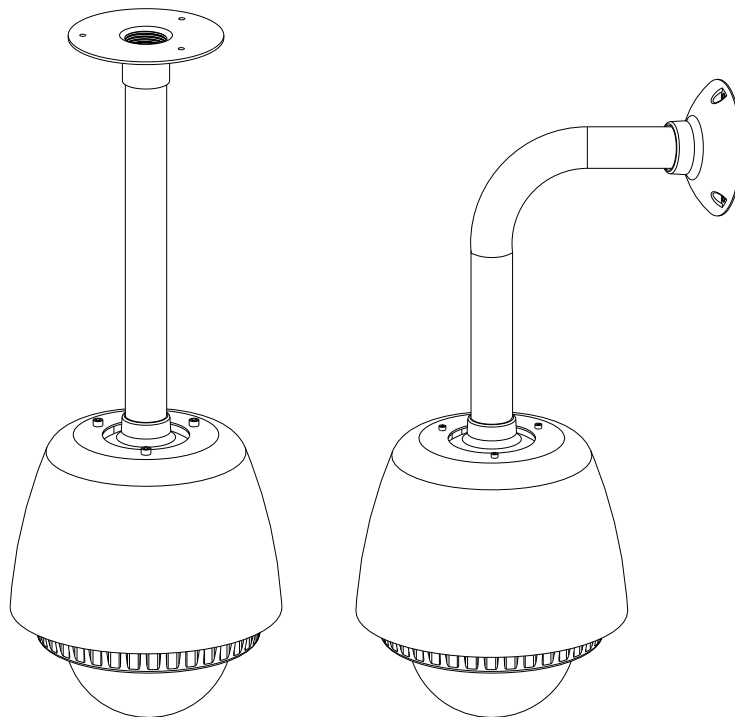


# **HSGN502 / HSGN502-SH**

- **CEILING MOUNT HOUSING**
- **WALL MOUNT HOUSING**



*Please read this manual thoroughly before use, and keep it handy for future reference.*

*Rev.0*

## FEATURES

---

Things to do before installing the indoor / outdoor dome housing:

1. Remove the bubble from the trim ring. (See Figure 1)
2. Remove the protective paper from the adhesive tape located inside the indoor/outdoor dome housing's external ring. (See Figure 2)
3. Insert the bubble so that the rim of the bubble comes into contact with adhesive tape inside the indoor/outdoor dome housing's ring. Once the bubble is in position, gently press around the edges so that the bubble sticks to the indoor/outdoor Ring.
4. Using the supplied RTV, fill up the gap between the bubble and the external ring. (See Figure 2)
5. With the RTV in place, let it dry for at least 24 hours before covering the outdoor housing.

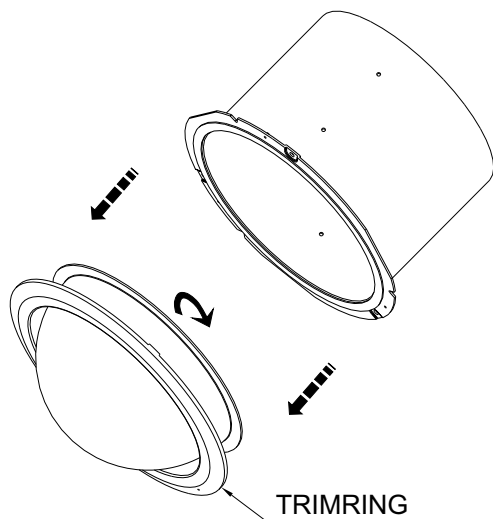


FIGURE 1

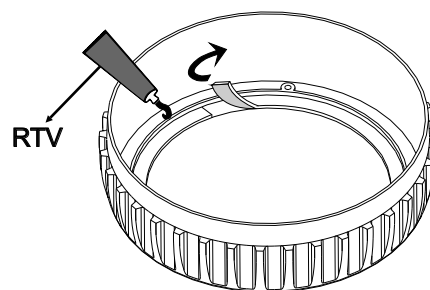


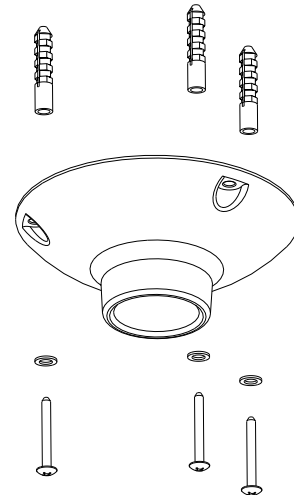
FIGURE 2

## FEATURES

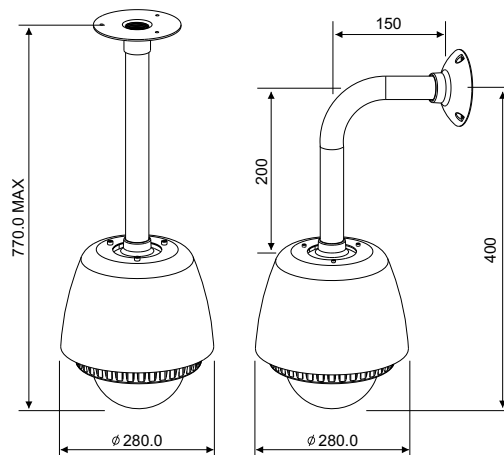
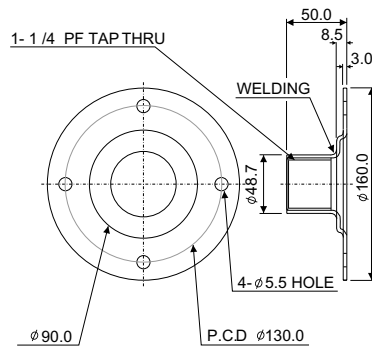
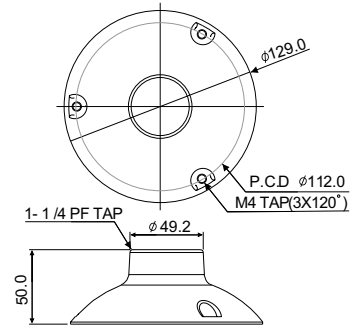
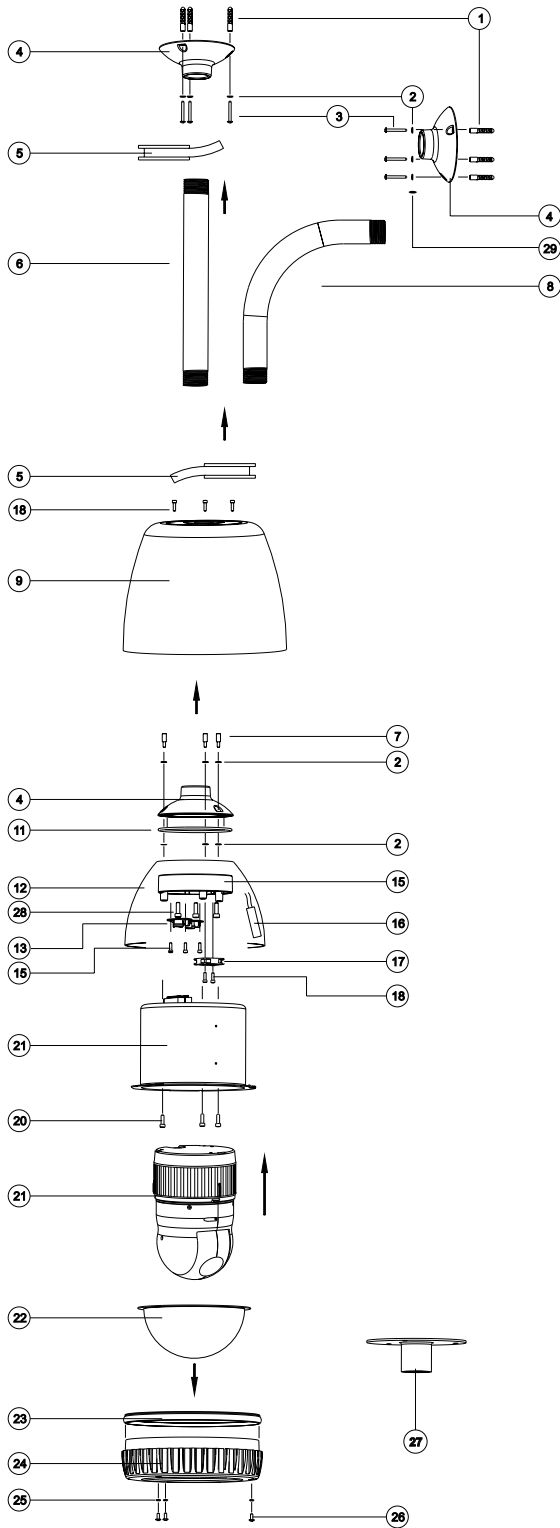
---

### Wall Mount

1. Attach the mounting base (④) to the ceiling or wall using the supplied M6 screw (③) and plastic bushing.
2. If there is strong sunlight, the optional sun shield (⑨) must be used. Insert the sun shield into the wall bracket.
3. Wind the supplied Teflon sealing tape around the threads on both ends of the pipe about 20 times.
4. Pull all the required cables through the base and pipe.
5. Fit the pipe (whose threads are covered with Teflon tape) into the base and turn until it is securely fastened. Align the direction of the pipe turn the nut until lock auto mount base. If the pipe is longer than 1M, the supplied metal base must be used to withstand stronger force. Each end of the extension pipe should have PT1 1/4 threads.
6. Align the drop shaped housing (⑫) with the pipe and turn until it is securely fastened.
7. Wire the heater and blower to the optional temperature control circuit.
8. Connect all the wires (24VAC, communication) to the push type terminal block.
9. Make sure that the wires are cleared and out of the way, before proceeding.
10. Install the ceiling adapter to the spacer using three M6 screws.
11. Set the dome ID (refer instruction manual).
12. Make sure that the lock handles on the inside of the ceiling adapter are pulled out.
13. Attach the dome camera to the ceiling adapter and push upward until you hear a click.
14. Make sure that the dome is safely locked into position before removing your hands from the dome.
15. Cover the housing with the prepared external ring which now contains the bubble. Note that you must align "keys" inside the external housing with the "locks" on the ceiling adapter.
16. Once properly in place, tighten the external housing using the supplied M4 screw and O rings.



## INSTALLATION



Unit: mm

## EXPLODED ASSEMBLY PARTS LIST

ITEM	Q'TY	PART NAME	DESCRIPTION
1	3	PLASTIC BUSHING	ANCHOR (∅6.0mm)
2	9	O-RING (SMALL)	P - 5
3	3	SCREW TAPPING (+)	M6, L = 30mm
4	1	MOUNT BASE (WALL)	PF 1¼
5	1	SEAL TAPE	TEFLON
6	1	PIPE (STRAIGHT)	PF 1¼ (L = 30cm / 11.8")
7	3	SNAP SCREW	M6 X 15
8	1	PIPE (90° DEG ANGLE TYPE)	PF 1¼ (L = 30cm / 11.8")
9	1	SUN SHIELD	AL
10	3	SCREW WRENCH TYPE (SUS)	M4 × 0.7, L = 12mm
11	1	O-RING (LARGE)	AN - 158
12	1	EXTERNAL HOUSING	AL
13	1	FAN & HEATER PCB	FR - 4
14	3	SCREW MACHINE (+)	M3 × 0.5, L = 8mm
15	1	SPACER	AL
16	1	HEATER	30 Watt
17	1	BLOWER	DC 24V / 1.68W / D2440107S
18	2	SCREW MACHINE (+)	M3 × 0.5
19	1	DOME CAN	AL
20	3	SCREW MACHINE (+)	M4 × 0.7, L = 8mm
21	1	DOME MODULE	HID2406CCXX
22	1	BUBBLE	CLEAR
23	1	GASKET	SILICONE
24	1	HOUSING RING	ABS
25	3	O-RING (SMALL)	P - 4
26	3	SCREW TAPPING (+) (SUS)	M4, L = 10mm
27	1	MOUNT BASE (CEILING)	PF 1¼ (LARGE)
28	3	SCREW (+)	M6 X 10mm
29	1	SET SCREW	M4 X 4mm

## SPECIFICATIONS

<b>MECHANICAL</b>	Construction	Aluminum and steel
	Maximum Load	Approx 4.4 lbs (2Kg)
	Finish	Light-gray polyester powder coat
	Weight	Approx 7.7 lbs (3.5Kg) Approx 9.5 lbs (4.3Kg) - SUNSHIELD include
<b>ELECTRICAL</b>	Input Voltage	24V AC
	Watt	35 Watt (MAX) - For fan & heater 55 Watt (MAX) - For fan & heater + Dome