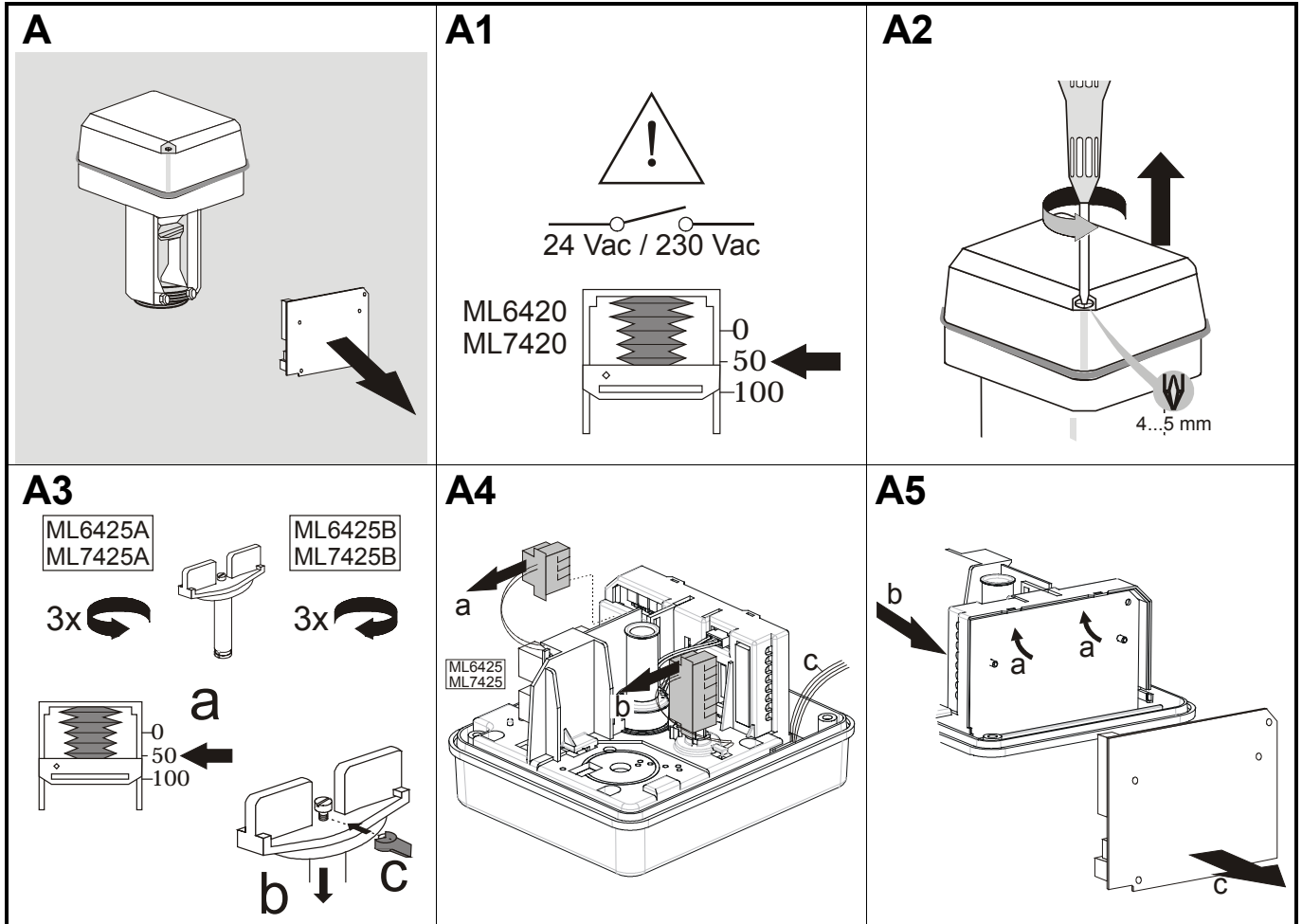
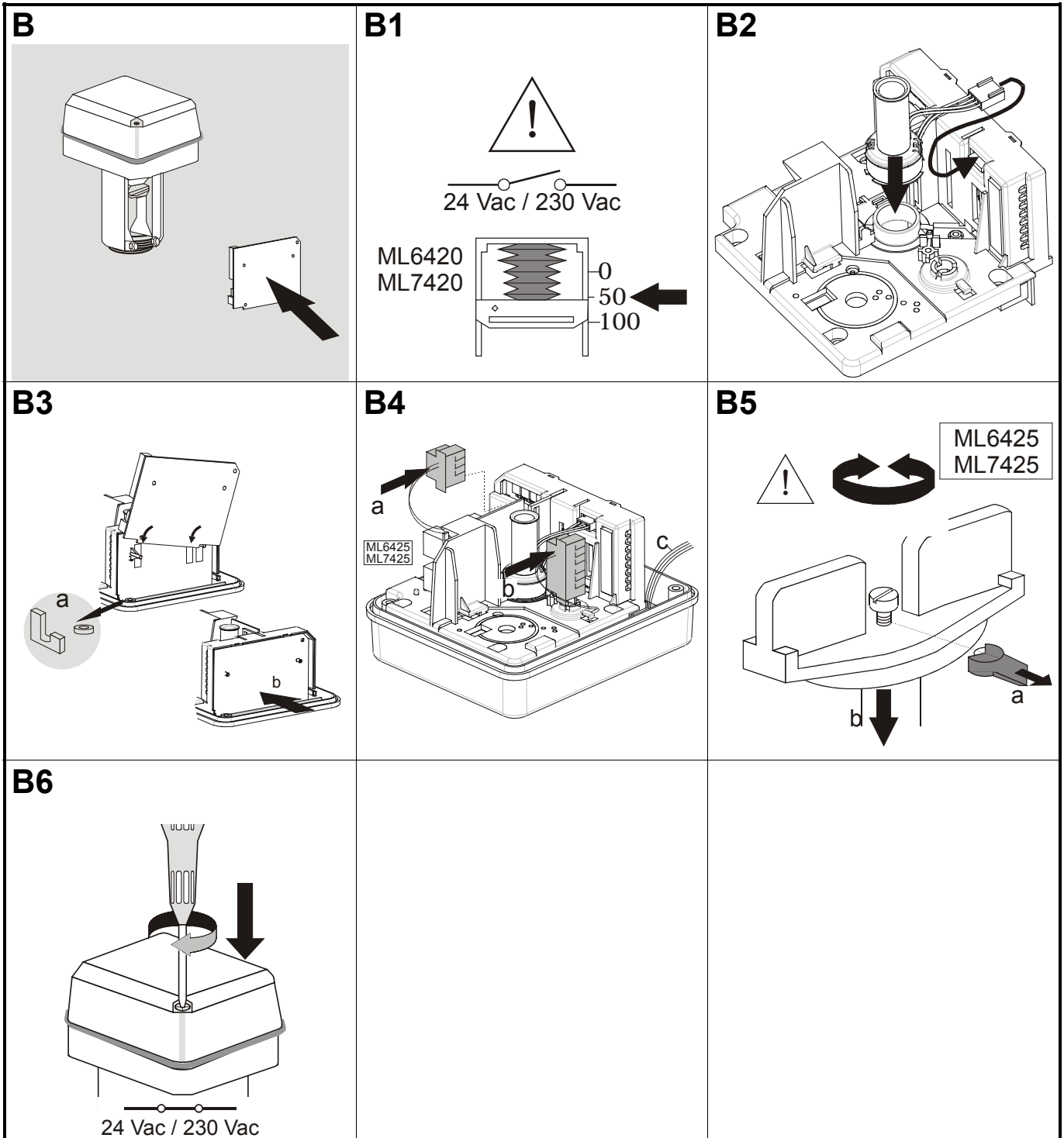


D Montageanweisung
DK Installasjonsinstruktus
ES Instrucciones de montaje
F Instructions d'installation
I Istruzioni di montaggio
N Installationsinstruktioner
NL Installatievoorschrift
P Instruções de montagem
S Installation instruktioner
FI Asennusohje

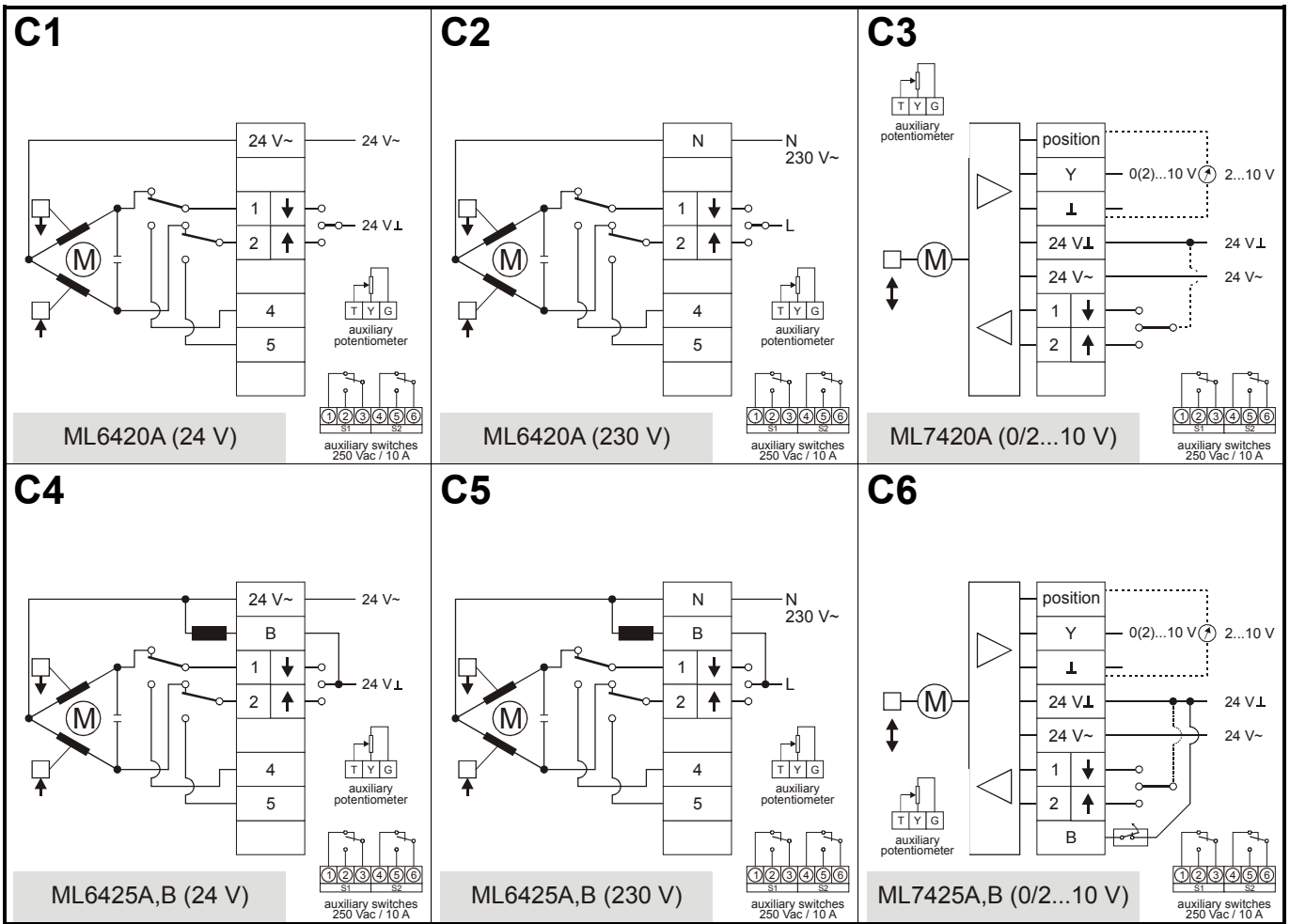
ML6420A/ML7420A ML6425A,B/ML7425A,B CIRCUIT BOARD REPLACEMENT

INSTALLATION INSTRUCTIONS





Circuit Board Assembly	ML6420				ML7420		ML6425			ML7425		Series No.
	A3007	A3015	A3023	A3031	A3006	A3014	A3006	A3014	B3005	A3005	B3004	
43193809-001							X		X			-1, -3
43193809-002								X				-1, -3
43193807-001	X											-1
43193807-002	X											-2, -3
43193807-003		X										-1
43193807-004		X		X								-2, -3
43193807-005			X									-2, -3
43193808-001					X							-1
43193810-002									X	X		-1, -3, -4
43193808-004					X							-2, -3, -4
43193808-005						X						-2, -3, -4



Honeywell

Automation and Control Solutions

Honeywell GmbH
Böblinger Straße 17
D-71101 Schönaich / Germany
Phone: (49) 7031 637 - 01
Fax: (49) 7031 637 - 493
<http://europe.hbc.honeywell.com>

Subject to change without notice. Printed in Germany

Manufacturing location certified to

DIN EN ISO
9001/14001

MU1B-0249GE51 R0904

7157 466