

- (D) Montageanweisung - - - - - Elektrischer Ventilantrieb
- (F) Instructions d' Installation - - - - - Servomoteur de Vanne
- (I) Istruzioni per l' Installazione - - - - - Attuatore elettrico lineare
- (NL) Installatievoorschrift - - - - - Lineaire elektrische klepmotor
- (DK) Installationsinstruks - - - - - Elektrisk linjær ventilmotor
- (N) Installationsinstruktioner - - - - - Elektrisk ventilmotor
- (FIN) Asennusohje - - - - - Sähköinen lineaarinen venttiilin toimilaitte
- (S) Installations Instruktioner - - - - - Linjärt ventilställdon
- (E) Instrucciones de montaje - - - - - Actuador eléctrico lineal

ML7420G

ELECTRIC LINEAR VALVE ACTUATORS WITH LON COMMUNICATION

INSTALLATION INSTRUCTIONS

Mounting Dimensions: Minimum clearance of 80mm above the actuator and 100mm to the side. A screwdriver icon indicates the top cover should be removed.

Orientation: The actuator must be mounted vertically on the valve. A crossed-out diagram shows it should not be mounted horizontally or upside down.

Step 1: Remove the top cover (b) and insert the actuator stem (a) into the valve.

Step 2: Tighten the top cover (b) with a screwdriver (c). Insert the LON communication terminals (d, e, f) into the actuator housing.

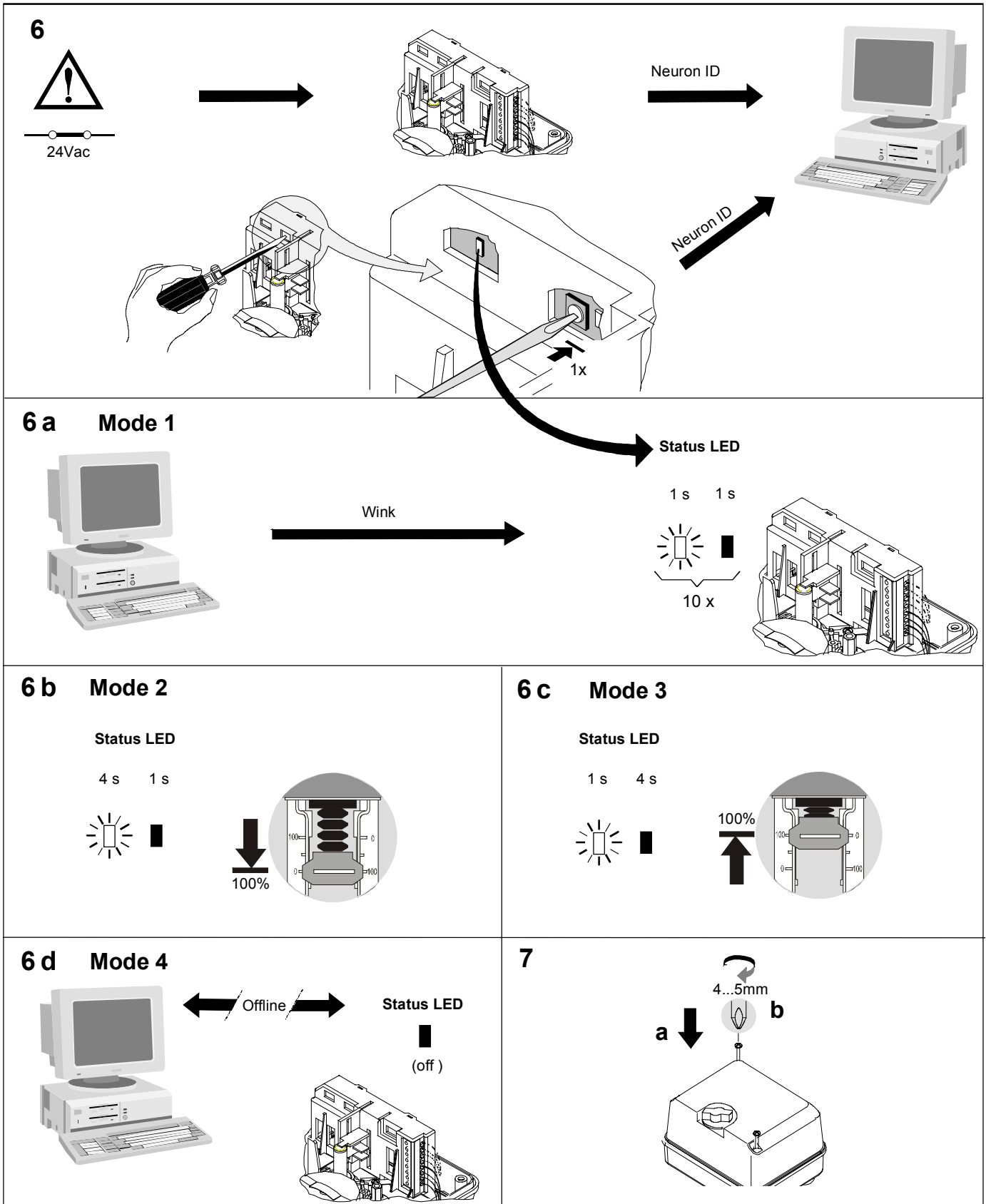
Step 3: Remove the terminal cover (4...5mm) using a screwdriver. A warning symbol indicates 24Vac. The cover is shown being moved upwards.

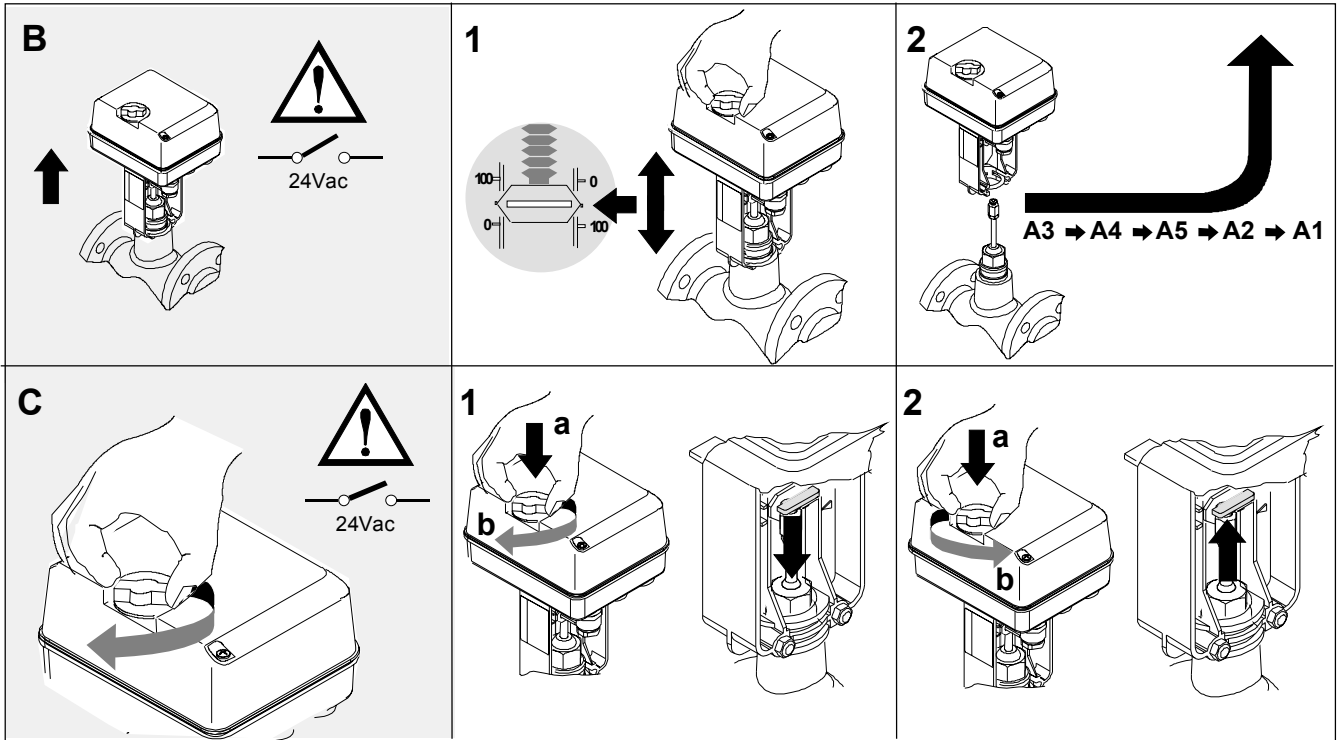
Step 4: Connect the power supply (24V ~) and LON communication lines (LON A, LON B) to the terminals (b, c, d). The terminal cover is shown being moved downwards (3 mm).

Step 5: Connect the actuator to the terminal block (a) for different models:

- ML7420 G1004:** 6 terminals.
- ML7420 G1012:** 6 terminals, including D_m 1+, D_m 1-, D_m 2+, and D_m 2-.
- ML7420 G1020:** 6 terminals, including Triac 1, Triac 2, and 24V ~.

A warning symbol is shown next to the terminal block connection.





Honeywell

Automation and Control Solutions

Honeywell GmbH
Böblinger Straße 17
D-71101 Schönaich
Phone: (49) 7031 63701
Fax: (49) 7031 637493

Subject to change without notice. Printed in Germany

EN1B-1017GE02 R0903

Manufacturing location is certified according to 