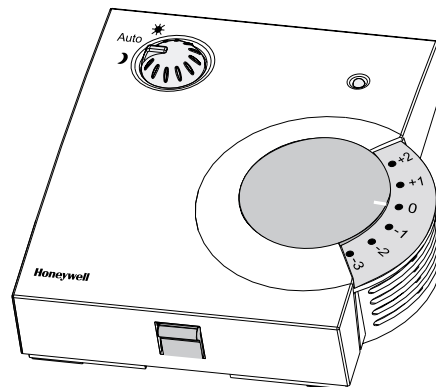


# INSTALLATION AND OPERATING INSTRUCTIONS T7460H SETPOINT SELECTOR



## DESCRIPTION

The T7460H setpoint selector is a temperature selector equipped with operating mode switch, room temperature sensor, and error indicator LED. It is supported by the following control systems:

- MCR 35, 36, 40, 200
- DHC 23
- Excel 500

Not for MCR 200-61 large installations and MCR 200-62.

## INSTALLATION OF THE T7460H

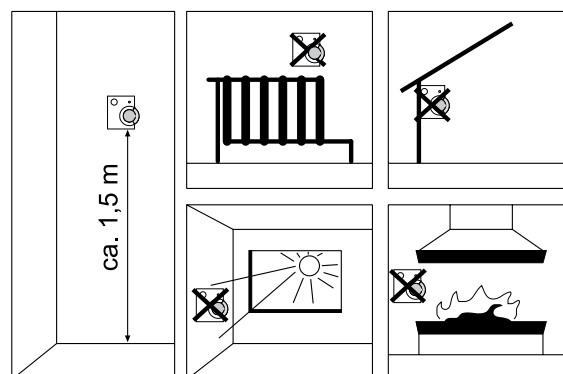


Figure 1: Locations for installation

1. Remove housing cover of the setpoint selector.

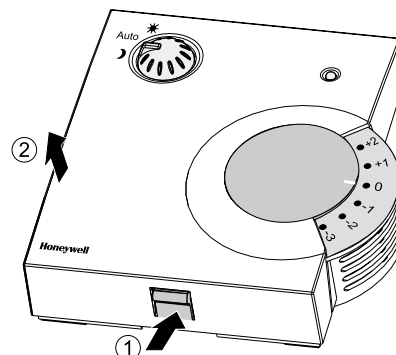
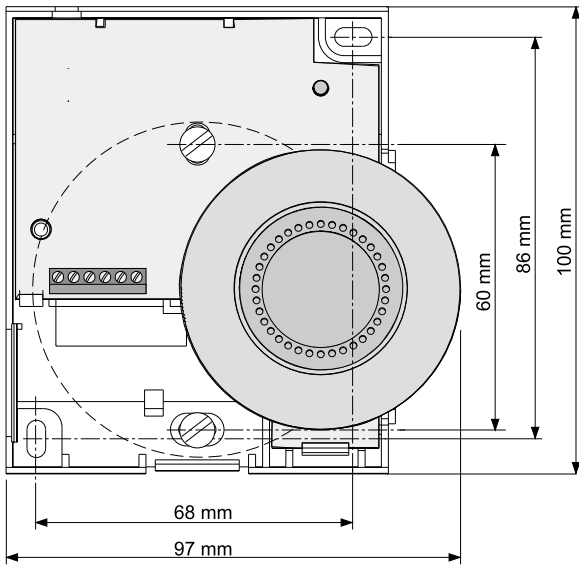


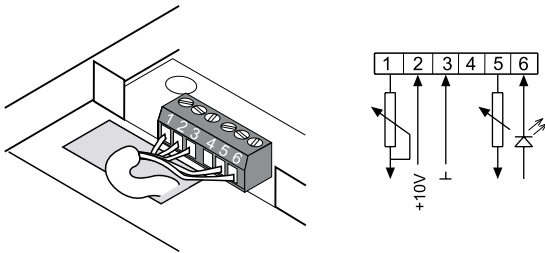
Figure 2: Removing housing cover

- Screw setpoint adjuster to the under plaster distribution box.



**Figure 3: Dimensions of housing**

- Connect the cable coming from the controller.

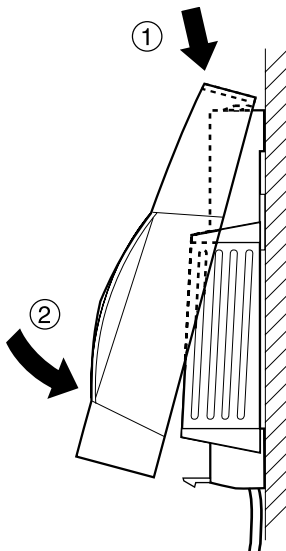


**Figure 4: Wiring diagram**

Wiring of the terminals:

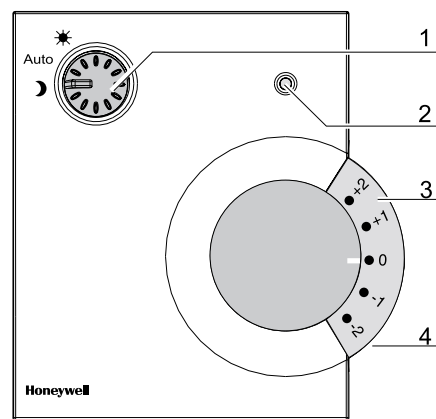
|   |          |   |             |
|---|----------|---|-------------|
| 1 | Setpoint | 4 | not used    |
| 2 | + 10 V   | 5 | Room sensor |
| 3 | Gnd      | 6 | LED         |

- Return cover to housing by placing top edge against back-plate and snap lower part of cover onto housing (2).



**Figure 5: Replacing of housing cover**

## OPERATION AND FUNCTIONS



**Figure 6: Operating devices and indicators**

- 1 Operating mode switch
- 2 LED (error indicator)
- 3 Temperature selector with scale
- 4 Temperature sensor (to the side)

### T7460H in operation with systems MCR 35, 36, 40, 200, DHC 23 and EXCEL 500

#### Operating mode switch

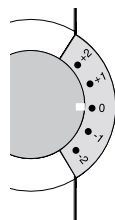
The operating mode switch allows for the selection of three different functions:

| Position | Operating mode | Function   |
|----------|----------------|--|
| Auto     | Automatic      | Heating is controlled by timer.  |
| ☀        | Daytime        | Only desired value for day applies.  |
| ☾        | Switch-off     | Heating is switched off. In the event of danger of frost, the heating pump and the burner are automatically switched on. |

#### Note

*The operating mode switch of the T7460H does not in any way influence the domestic hot water program.*

#### Temperature selector

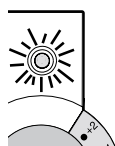


The desired value can be changed only if the operating mode switch is set to positions **Auto** or **☀** respectively.

Range:  $-7...+7\text{ }^{\circ}\text{C}$

Mid-point position:  $0\text{ }^{\circ}\text{C}$   
(in relation to controller settings)

#### LED



Function in operation with MCR 200: The LED is on if the controller has detected an error.

The LED may also be used with other systems. The input voltage is  $5 - 24\text{ V AC or DC}$ .

---

## T7460H in operation with Excel 500 System

If the T7460H is operated with the Excel 500 System, the temperature range and options of the operating mode switch can be chosen to suit your needs.

In such an installation, the feedback control system of the Excel System provides information on the current configuration of the switch.

## TECHNICAL DATA

|   |   |
|---|---|
| Sensor device:                            | NTC thermistor  |
| Resistance:                               | 20 kOhm at 25 °C  |
| Temperature range:                        | -15...+40 °C  |
| Dimensions (H×W×D):                       | 103 × 98 × 28 mm  |
| Installation:                             | Installation on wall or<br>on standard 60 mm distribution box |
| Max. operating<br>temperature / humidity: | 0...50 °C / 5...95% humidity                                  |
| Max. storage<br>temperature / humidity:   | -35...+70 °C / 5...95% humidity                               |
| Electric connection:                      | Terminals for max. 1.0 mm <sup>2</sup><br>wire diameter       |
| Protection class:                         | IP 30, DIN 40 050<br>or IEC 144                               |

Technical data regarding the NTC thermistor:  
see publication GE 3R-1106.

---

# Honeywell

## Control Products

Honeywell AG  
Böblinger Strasse 17  
D-71101 Schönaich  
Phone: (49) 7031 637 01  
Fax: (49) 7031 637 493  
<http://europe.hbc.honeywell.com>

Manufacturing location certified to **DIN EN**  
**ISO 9001**

Subject to change without notice. Printed in Germany

7157408

EN1H-0154GE51R1102