

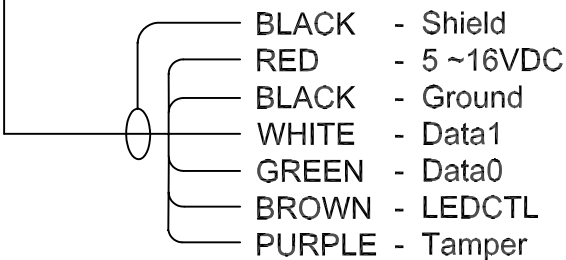
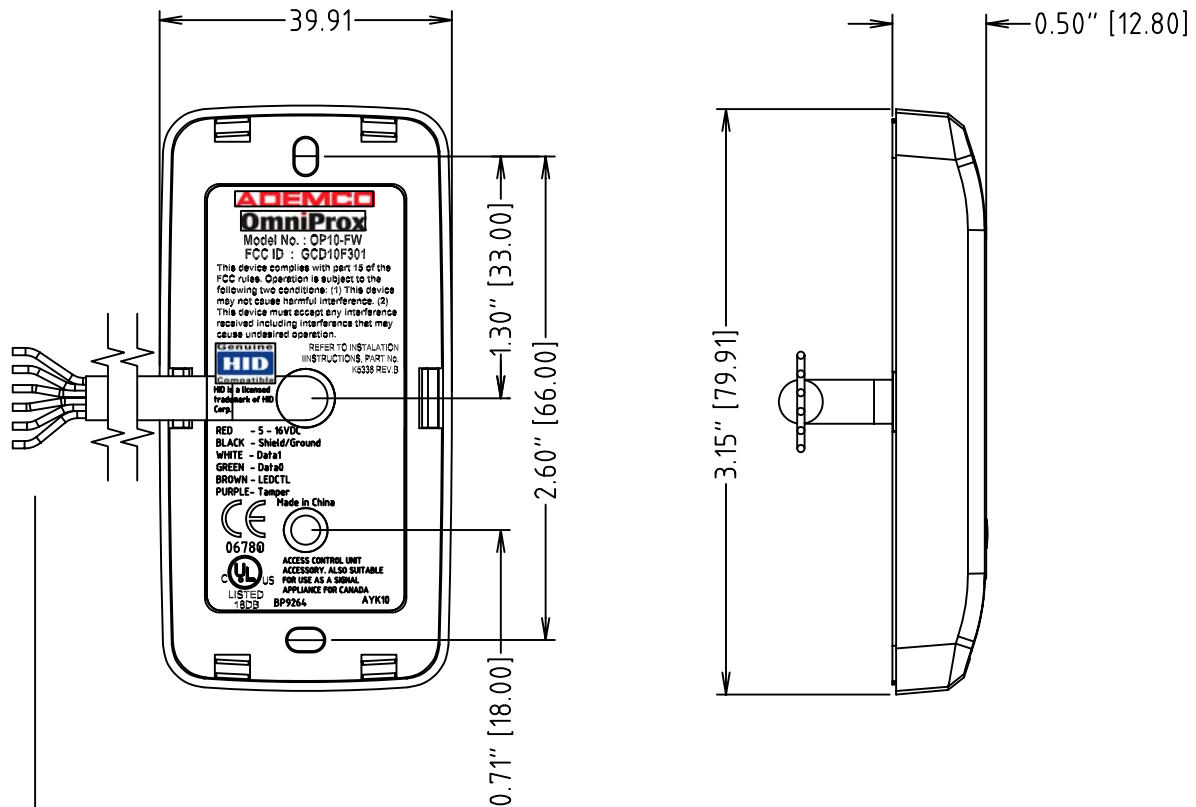
A

B

CONTROLLED DRAWING

This drawing is the property of OMNITEK and can not be copied nor loaned without written permission.

REV.	DETAIL	DATE	NAME	DATE	APPROVAL



UNLESS OTHERWISE SPECIFIED				PROJECT	ACCESS CONTROL SYSTEM		DRAWN	L. SALES	DATE	17 JAN 03
OPTION	✓			MODEL	OP10		CHECKED	I. OZER	DATE	
DECIMAL				DESCRIPTION	PROXIMITY CARD READER, OUTLINE DIM.		APPR'D	J. WINNER	DATE	
XX	±1.00	±0.50	±0.10	PART NO.		MATERIAL	SCALE	1 : 1	UNIT	MM
XX.X	±0.30	±0.10	±0.05	FINISH		QUANTITY	CAD FILE	OMNITEKWIRING00	DWG.SIZE	A4
XX.XX	±0.10	±0.02	±0.01				DWG.NO.	030117001	SHEET	1 OF 1
XX.XXX	±0.01	±0.005	±0.002							
RADIUS		CHAMFERS	ANGLE	<p>OMNITEK An ADEMCO Group Company</p>						
R05 = 0.050	C01 = 0.10 X 45°	±0°-30°								
R1 = 0.100	C02 = 0.20 X 45°	EDM (VDI)								
R2 = 0.20	C05 = 0.50 X 45°	27 - 30								
R5 = 0.50	C1 = 1.00 X 45°									
XR = R MAX.	S = STONE									
SURFACE: ▽ ▽ ▽ ▽ ▽										

A

B