

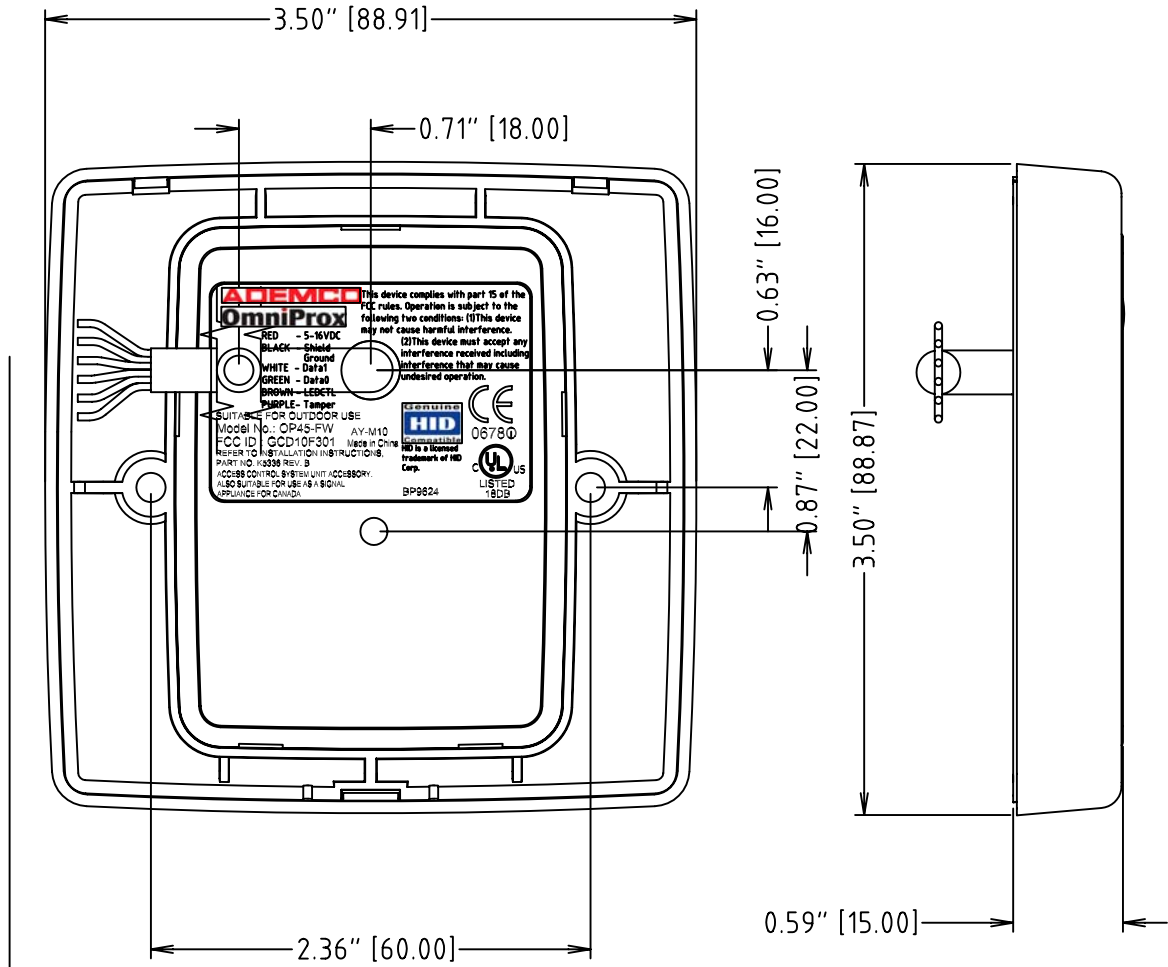
A

B

CONTROLLED DRAWING

This drawing is the property of OMNITEK and can not be copied nor loaned without written permission.

REV.	DETAIL	DATE	NAME	DATE	APPROVAL



- BLACK - Shield
- RED - 5 ~16VDC
- BLACK - Ground
- WHITE - Data1
- GREEN - Data0
- BROWN - LEDCTL
- PURPLE - Tamper

UNLESS OTHERWISE SPECIFIED				PROJECT	ACCESS CONTROL SYSTEM		DRAWN	L. SALES	DATE	20 JAN 03
OPTION	✓			MODEL	OP45		CHECKED	I. OZER	DATE	
DECIMAL				DESCRIPTION	PROXIMITY CARD READER, OUTLINE DIM.		APPR'D	J. WINNER	DATE	
XX	±1.00	±0.50	±0.10	PART NO.		MATERIAL	SCALE	1 : 1	UNIT	MM
XX.X	±0.30	±0.10	±0.05	FINISH		QUANTITY	CAD FILE	OMNIOP45DIM01	DWG.SIZE	A4
XX.XX	±0.10	±0.02	±0.01				DWG.NO.	030120004	SHEET	1 OF 1
XX.XXX	±0.01	±0.005	±0.002							
RADIUS			CHAMFERS	ANGLE						
R05 = 0.050	C01 = 0.10 X 45°	±0°-30°								
R1 = 0.100	C02 = 0.20 X 45°	EDM (VDI)								
R2 = 0.20	C05 = 0.50 X 45°	27 - 30								
R5 = 0.50	C1 = 1.00 X 45°									
XR = R MAX.	S = STONE									
SURFACE: ▽ ▽ ▽ ▽ ▽				<p>OMNITEK An ADEMCO Group Company</p>						

A

B