

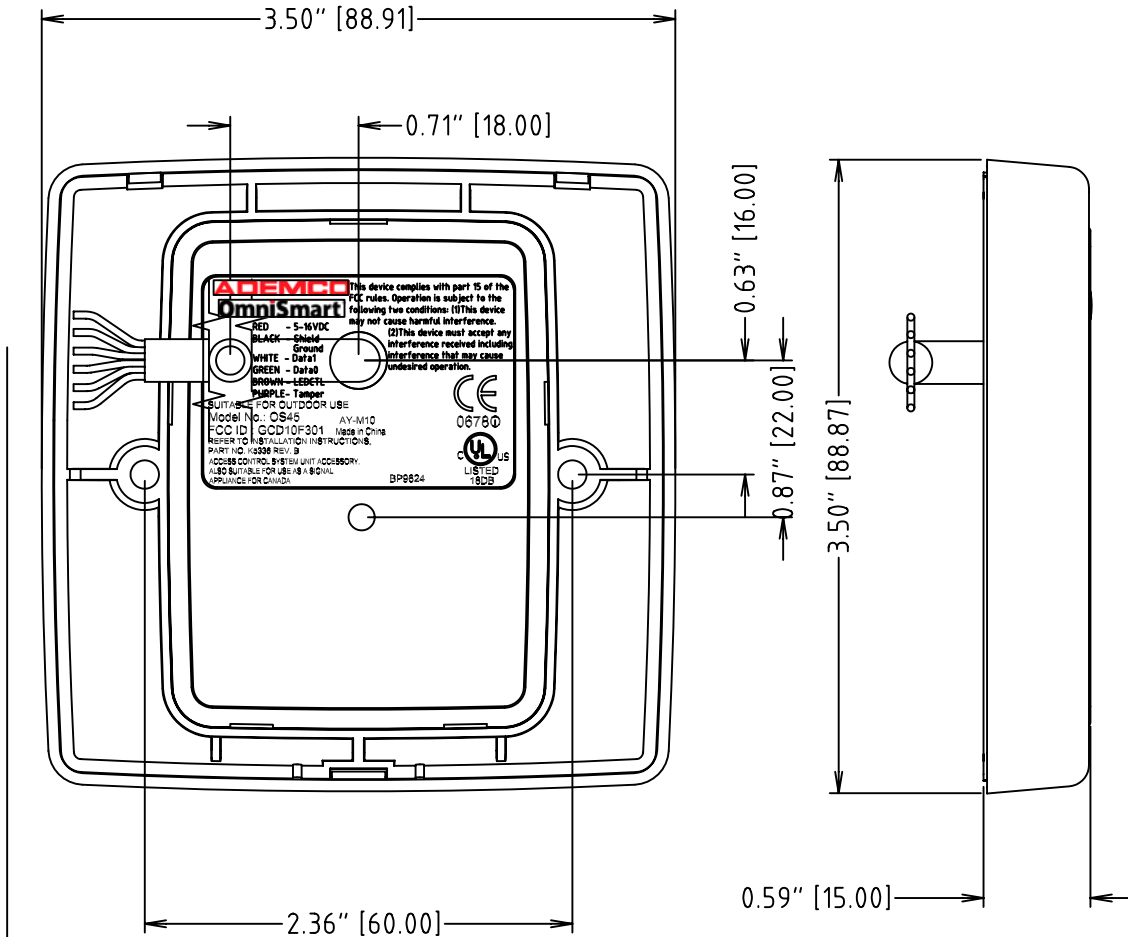
A

B

**CONTROLLED DRAWING**

This drawing is the property of OMNITEK and can not be copied nor loaned without written permission.

REV.	DETAIL	DATE	NAME	DATE	APPROVAL



- BLACK - Shield
- RED - 5 ~16VDC
- BLACK - Ground
- WHITE - Data1
- GREEN - Data0
- BROWN - LEDCTL
- PURPLE - Tamper

UNLESS OTHERWISE SPECIFIED			
OPTION	DECIMAL	✓	
XX	±1.00	±0.50	±0.10
XX.X	±0.30	±0.10	±0.05
XX.XX	±0.10	±0.02	±0.01
XX.XXX	±0.01	±0.005	±0.002
RADIUS		CHAMFERS	ANGLE
R05 = 0.050	C01 = 0.10 X 45°		±0°-30°
R1 = 0.100	C02 = 0.20 X 45°		EDM (VDI)
R2 = 0.20	C05 = 0.50 X 45°		27 - 30
R5 = 0.50	C1 = 1.00 X 45°		
XR = R MAX.	S = STONE		
SURFACE: ▽ ▽ ▽ ▽ ▽			

PROJECT	ACCESS CONTROL SYSTEM	
MODEL	OS45	
DESCRIPTION	PROXIMITY CARD READER, OUTLINE DIM.	
PART NO.	MATERIAL	
FINISH	QUANTITY	

DRAWN	L. SALES	DATE	21 JAN 03
CHECKED	I. OZER	DATE	
APPR'D	J. WINNER	DATE	
SCALE	1 : 1	UNIT	MM
CAD FILE	OMNIOS45DIM02	DWG.SIZE	A4
DWG.NO.	030121005	SHEET	1 OF 1

A

B