

# HDC-505T Series

## HDC-505NT-36

NTSC, 550 TV Lines, 3.6mm fixed lens, DC12V

## HDC-505PT-36

PAL, 550 TV Lines, 3.6mm fixed lens, DC12V

## HDC-505NT-60

NTSC, 550 TV Lines, 6.0mm fixed lens, DC12V

## HDC-505PT-60

PAL, 550 TV Lines, 6.0mm fixed lens, DC12V

## HDC-505NTV

NTSC, 550 TV Lines, DC Driver 4~9.0mm varifocal lens, DC12V

## HDC-505PTV

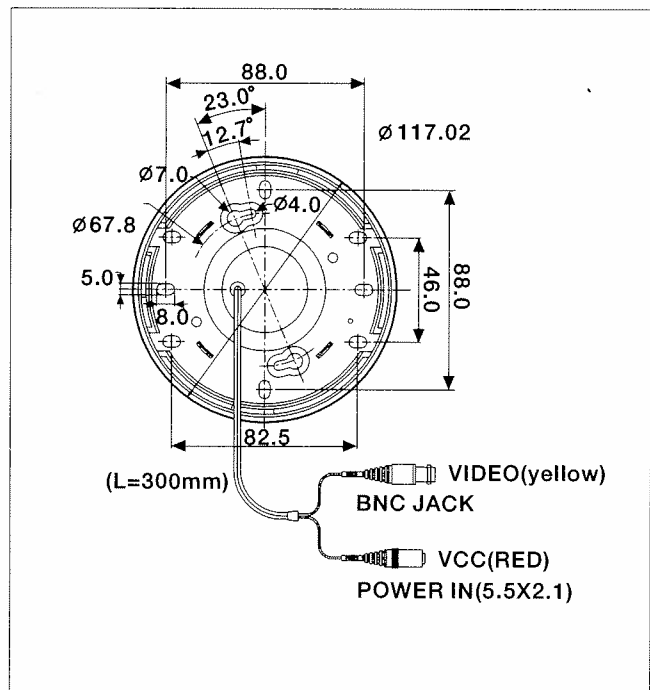
PAL, 550 TV Lines, DC Driver 4~9.0mm varifocal lens, DC12V



### KEY FEATURES

- High resolution 550 TV Lines
- 1/3" IT color SONY super HAD CCD
- Minimum illumination : 0.04 lx
- TDN
- Real color picture through ATW
- Signal to Noise ratio : more than 46dB
- Automatic Back Light Compensation
- Fixed and DC type Vari-focal Lens Support
- Compact size (ø117 x 84.5(H) mm)
- Easy & Simple installation

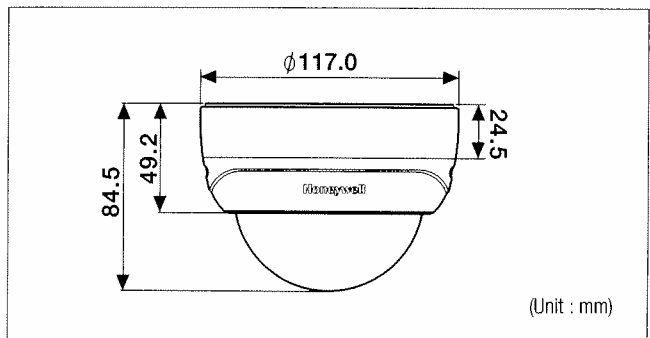
### CONNECTIONS



### SPECIFICATIONS

Model No.	HDC-505NT	HDC-505PT
Pick-up Device	1/3" Color SONY Super HAD CCD	
Video Out	Composite(1.0Vp-p), 75 Ω	
Picture Elements	NTSC : 811(H) X 508(V)	PAL : 795(H) X 596(V)
Sync. System	Internal (DC12V)	
Horizontal Resolution	550 TV Lines	
Minimum Illumination	0.04 lx (F1.2, 30 IRE, without LED, B/W)	
Lens Type	Fixed Lens : 3.8mm / 6.0mm DC Driver Lens : 4~9mm varifocal	
Electronic Shutter	NTSC : 1/60 ~ 1/100k	PAL : 1/50 ~ 1/100k
Signal-to-Noise Ratio	More than 46dB (AGC Off)	
AGC(Automatic Gain Control)	ON / OFF selectable	
White Balance	Auto (Dip switch Select AUTO/Manual)	
BLC	ON / OFF selectable	
Power Requirements	DC12V±2V	
Power Consumption	Maximum 2.7W	
Connector	Power input : Jack type Video Out : BNC	
Angle of View (3.6mm Lens)	92.5°	
Angle of View (6.0mm Lens)	54°	
Operating Temperature	-10°C to 50°C	
Storage Temperature	-20°C to 70°C	
Humidity	Under 80% RH (non-condensing)	
Dome Cover material	Acrylic	
Finish	Ivory	
Dimensions	117 mm(ø) x 84.5 mm(H)	
Weight	Approx. 235g	
Certification	FCC, CE	

### DIMENSIONS



(Unit : mm)