

HDC-515T Series

HDC-515NT-36

NTSC, 550 TV Lines, 3.6mm fixed lens, AC124V/DC12V

HDC-515PT-36

PAL, 550 TV Lines, 3.6mm fixed lens, AC24V/DC12V

HDC-515NT-60

NTSC, 550 TV Lines, 6.0mm fixed lens, AC24V/DC12V

HDC-515PT-60

PAL, 550 TV Lines, 6.0mm fixed lens, AC24V/DC12V

HDC-515NTV

NTSC, 550 TV Lines, DC Driver 4~9.0mm varifocal lens, AC24V/DC12V

HDC-515PTV

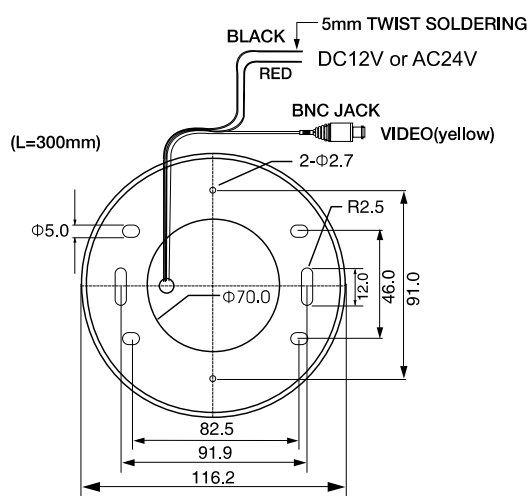
PAL, 550 TV Lines, DC Driver 4~9.0mm varifocal lens, AC24V/DC12V



KEY FEATURES

- High resolution 550 TV Lines
- 1/3" IT color SONY super HAD CCD
- Minimum illumination : 0.04 lx
- True Day & Night
- Real color picture through ATW
- Signal to Noise ratio : more than 46dB
- Automatic Back Light Compensation
- Fixed and DC type Vari-focal Lens Support
- Compact size (ø116.2 x 103(H) mm)
- Easy & Simple installation

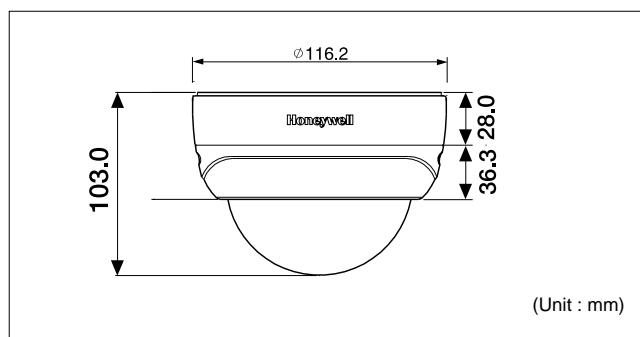
CONNECTIONS



SPECIFICATIONS

| | |
|-----------------------------|---|
| Model No. | HDC-515NT / HDC-515PT |
| Pick-up Device | 1/3" Color SONY Super HAD CCD |
| Video Out | Composite (1.0Vp-p), 75 Ω |
| Picture Elements | NTSC : 811(H) x 508(V) PAL : 795(H) x 596(V) |
| Sync. System | Internal (DC12V), Line Lock |
| Horizontal Resolution | 550 TV Lines |
| Minimum Illumination | 0.04 lx (F1.2, 30 IRE, without LED, B/W) |
| Lens Type | Fixed Lens : 3.8 mm / 6.0 mm DC Driver Lens : 4 ~ 9 mm varifocal |
| Electronic Shutter | NTSC : 1/60 ~ 1/100k PAL : 1/50 ~ 1/100k |
| Signal-to-Noise Ratio | More than 46dB (AGC Off) |
| AGC(Automatic Gain Control) | ON / OFF selectable |
| White Balance | Auto (DIP switch Select AUTO/Manual) |
| BLC | ON / OFF selectable |
| Power Requirements | DC12V ± 2V, AC24V |
| Power Consumption | Maximum 2.7W |
| Connector | Power input : Jack type Video Out : BNC |
| Angle of View (3.6mm Lens) | 92.5° |
| Angle of View (6.0mm Lens) | 54° |
| Operating Temperature | -10°C to 50°C |
| Storage Temperature | -20°C to 70°C |
| Humidity | Under 80% RH (non-condensing) |
| Dome Cover material | Acrylic |
| Finish | Ivory |
| Dimensions | 116.2 mm(ø) x 103 mm(H) |
| Weight | Approx. 305g |
| Certification | FCC (HDC-515NT), CE (HDC-515PT) |

DIMENSIONS



(Unit : mm)

XGA SOLUTION

CAMERA

DOME

LENS

DVR

MONITOR & ACCESSORIES