

HDC-690 Series

HDC-690N-36

NTSC, DNR, Day & Night, 3.6mm fixed lens, DC12V

HDC-690P-36

PAL, DNR, Day & Night, 3.6mm fixed lens, DC12V

HDC-690N-60

NTSC, DNR, Day & Night, 6.0mm fixed lens, DC12V

HDC-690N-60

PAL, DNR, Day & Night, 6.0mm fixed lens, DC12V

HDC-690NV

NTSC, DNR, Day & Night, DC Drive 4~9mm varifocal lens, DC12V

HDC-690PV

PAL, DNR, Day & Night, DC Drive 4~9mm varifocal lens, DC12V



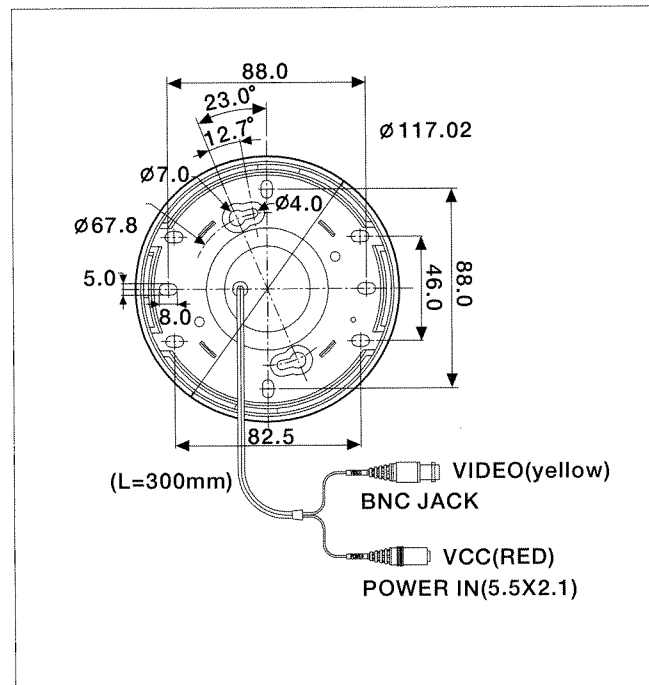
KEY FEATURES

- DNR (Digital Noise Reduction)
- 550 TV Line High Resolution
- 1/3" IT color SONY super HAD CCD
- Minimum Illumination 0.002lx (Sense up)
- TDN
- 4 Privacy Zone Masking Set up
- 4 Motion Detection Set up
- Mirror Function
- OSD Support
- More than 50dB S/N Ratio
- 4~9mm Varifocal Lens; 3.6mm/6.0mm Fixed Lens

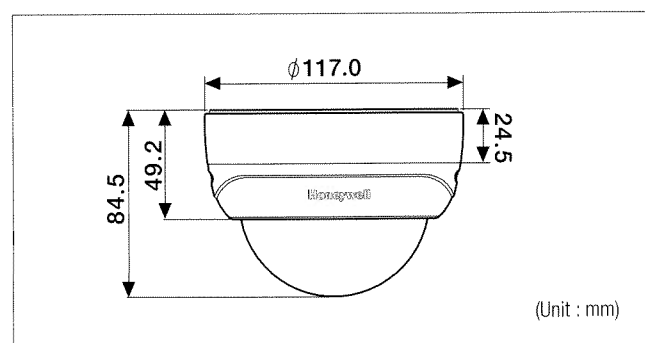
SPECIFICATIONS

Model No.	HDC-690N/PV	HDC-690N/P-60	HDC-690N/P-36
Pick-up Device	1/3" Color SONY Super HAD CCD		
Video Output	Composite(1.0Vp-p), 75 Ω		
Effective Pixels	NV:410K, 811(H) x 508(V) PV:470K, 795(H) x 596(V)	N-60:410K, 811(H) x 508(V) P-60:470K, 795(H) x 596(V)	N-36:410K, 811(H) x 508(V) P-36:470K, 795(H) x 596(V)
Sync. System	Internal (DC12V)		
Horizontal Resolution	550 TV Lines		
Minimum Illumination	0.002lx(Sense-up)		
Lens Type	4~9mm Varifocal	6mm Fixed	3.6mm Fixed
Electronic Shutter	Auto/Manual		
	NV:(x128: 1/60~1/120k sec) PV:(x128: 1/50~1/120k sec)	N-36:(x128: 1/60~1/120k sec) P-60:(x128: 1/50~1/120k sec)	N-36:(x128: 1/60~1/120k sec) P-36:(x128: 1/50~1/120k sec)
	Sense-up and Sense up Limit Selectable Flickerless		
S/N Ratio	50dB or Higher (AGC Off)		
AGC	Low, Middle, High, Off Selectable		
White Balance	ATW/AWC/Manual (1,800°K - 10,500°K)		
BLC	Low, Middle, High, Off Selectable		
DNR	Low, Middle, High, Off Selectable		
Day&Night	Auto/On		
Motion Detection	On/Off (4 Zone)		
Privacy	On/Off (4 Zone)		
Mirror	On/Off		
Sharpness	On/Off (Level Adjustable)		
OSD	Built-in		
Power	DC12V±2V		
Power Consumption	Max. 2.7W (LED Off)		
Connector	Power Terminal : Jack type		
OSD	Video Output : BNC		
Angle of View	-	54°	92.5°
Operating Temperature	-10°C - 50°C		
Storage Humidity	-20°C - 70°C		
Operating Humidity	Less than 80% RH (non-condensing)		
Material	Aluminum / PC		
Finish Material	Ivory		
Dimensions	117 mm(φ) x 84.5 mm(H)		
Weight	235g		
Certification	FCC, CE		

CONNECTIONS



DIMENSIONS



(Unit : mm)