

# HVD-505I, HVD-515I Series

## HVD-505NI-36

NTSC, 550TV Lines, 3.6mm fixed lens, DC12V

## HVD-505PI-36

PAL, 550TV Lines, 3.6mm fixed lens, DC12V

## HVD-505NI-60

NTSC, 550TV Lines, 6.0mm fixed lens, DC12V

## HVD-505PI-60

PAL, 550TV Lines, 6.0mm fixed lens, DC12V

## HVD-515NI-36

NTSC, 550TV Lines, 3.6mm fixed lens, AC24V/DC12V

## HVD-515PI-36

PAL, 550TV Lines, 3.6mm fixed lens, AC24V/DC12V

## HVD-515NI-60

NTSC, 550TV Lines, 6.0mm fixed lens, AC24V/DC12V

## HVD-515PI-60

PAL, 550TV Lines, 6.0mm fixed lens, AC24V/DC12V



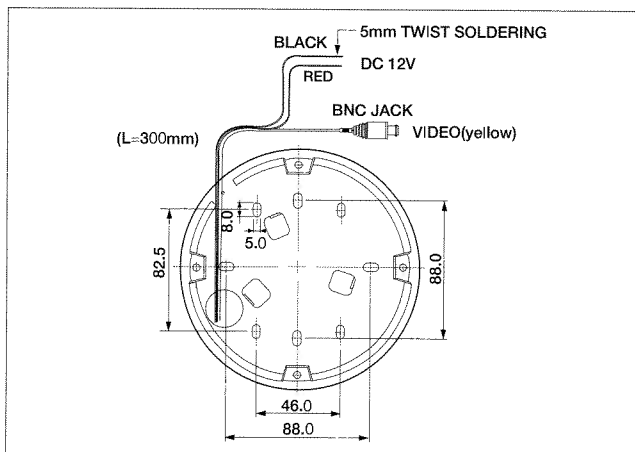
### KEY FEATURES

- Vandal Proof Dome Camera
- High resolution 550 TV Lines
- 1/3" IT color SONY super HAD CCD
- IR Lamp Synchronizing : Camera will be in B/W Position when IR Lamp on
- Built-in 18 IR Lamps
- 0 lx with IR Lamp on
- Camera picture mode change with built-in CDS sensor
- Real color picture through ATW
- Signal to Noise ratio : more than 48dB
- Automatic Back Light Compensation
- Built-in 3.6mm or 6.0mm fixed lens
- 8 step Shutter speed control
- Easy & Simple installation

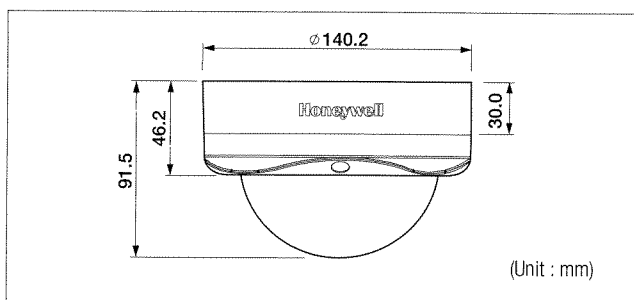
### SPECIFICATIONS

|                             |   |                     |
|-----------------------------|---|---------------------|
| Model No.                   | HVD-505NI/HVD-505PI                             | HVD-515NI/HVD-515PI |
| Pick-up Device              | 1/3" Color SONY Super HAD CCD                   |                     |
| Video Out                   | Composite(1.0Vp-p), 75 Ω                        |                     |
| Picture Elements            | NTSC : 811(H) x 508(V)<br>PAL : 795(H) x 596(V) |                     |
| Sync. System                | Internal (DC12V)                                | Internal, Line Lock |
| Horizontal Resolution       | 550 TV Lines                                    |                     |
| Minimum Illumination        | 0 lx, IR Lamp On                                |                     |
| Lens Type                   | Fixed Lens 3.6mm / 6.0mm fixed lens selectable  |                     |
| Electronic Shutter          | NTSC : 1/60 ~ 1/100k<br>PAL : 1/50 ~ 1/100k     |                     |
| Signal-to-Noise Ratio       | More than 48dB (AGC Off)                        |                     |
| AGC(Automatic Gain Control) | ON / OFF selectable                             |                     |
| White Balance               | Auto (Dip switch Select Auto/Manual)            |                     |
| BLC                         | ON / OFF selectable                             |                     |
| Power Requirements          | DC12V±2V  | DC12V±2V, AC24V     |
| Power Consumption           | Maximum 2.7W (LED Off)                          |                     |
| Connector                   | Power input : Jack type<br>Video Out : BNC      |                     |
| Angle of View (3.6mm Lens)  | 92.5°   |                     |
| Angle of View (6.0mm Lens)  | 54°   |                     |
| Operating Temperature       | -10°C to 50°C                                   |                     |
| Storage Temperature         | -20°C to 70°C                                   |                     |
| Humidity                    | Under 80% RH (non-condensing)                   |                     |
| Dome Cover material         | Aluminum / PC                                   |                     |
| Finish                      | Ivory   |                     |
| Dimensions                  | 140.2 mm(φ) x 91.5 mm(H)                        |                     |
| Weight                      | Approx. 813g                                    |                     |
| Certification               | FCC, CE   |                     |

### CONNECTIONS



### DIMENSIONS



CAMERA

DOME

LENS

XGA SOLUTION

DVR

MONITOR

ACCESSORIES