



**Honeywell**

---

18F, KUKJE Center B/D, 191,  
Hankangro-2ga, Yongsan-gu  
Seoul, 140-702, Korea  
TEL : 82-2-799-6109  
FAX : 82-2-749-6119

Part No. 11906118A

Printed in Korea

<http://www.honeywell.co.kr/cctv/english>

**Honeywell**

**Honeywell**

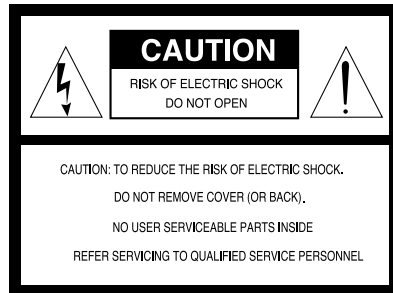
**14" CCTV COLOR MONITOR  
(GCM-1014S)**

**OWNER'S MANUAL**

## **WARNING**

TO REDUCE THE RISK OF FIRE OR ELECTRIC SHOCK, DO NOT EXPOSE THIS MONITOR TO RAIN OR MOISTURE. DO NOT INSERT ANY METALLIC OBJECT THROUGH VENTILATION GRILLS.

## **CAUTION**



## **Explanation of Graphical Symbols.**



This symbol is intended to alert the user to the presence of uninsulated, dangerous voltage within the product's enclosure that may be of sufficient magnitude to constitute a risk of electric shock to persons.



This symbol is intended to alert the user to the presence of important operating and maintenance (servicing) instructions in the literature accompanying the monitor.

## **● PRECAUTIONS**

### **Safety**

- Should any liquid or solid object fall into the cabinet, unplug the unit and have it checked by qualified personnel before operating it any further.
- Unplug the unit from the wall outlet if it is not going to be used for several days or more. To disconnect the cord, pull it out by the plug. Never pull the cord itself.
- Allow adequate air circulation to prevent internal heat buildup. Do not place the unit on surfaces (rugs, blankets, etc.) or near materials (curtains, draperies) that may block the ventilation holes.

### **Installation**

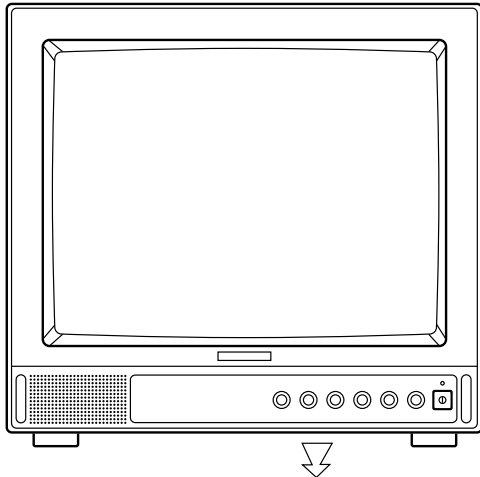
- Do not install the unit in an extremely hot or humid place or in a place subject to excessive dust or mechanical vibration.
- The unit is not designed to be waterproof. Exposure to rain or water may damage the unit.

### **Cleaning**

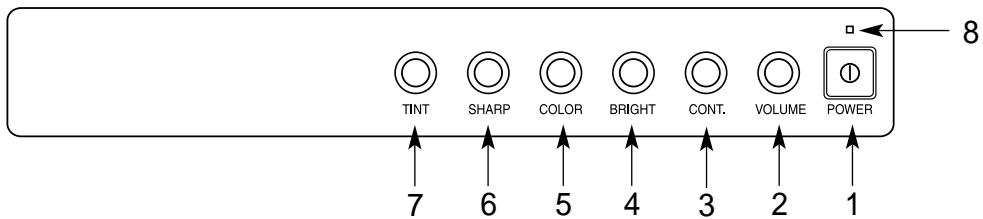
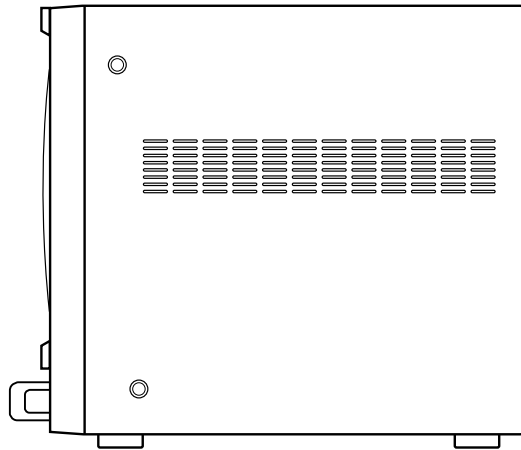
- Clean the unit with a slightly dampened soft cloth. Use a mild household detergent. Never use strong solvents such as thinner or benzene as they might damage the surface of the unit.

# LOCATION CONTROLS

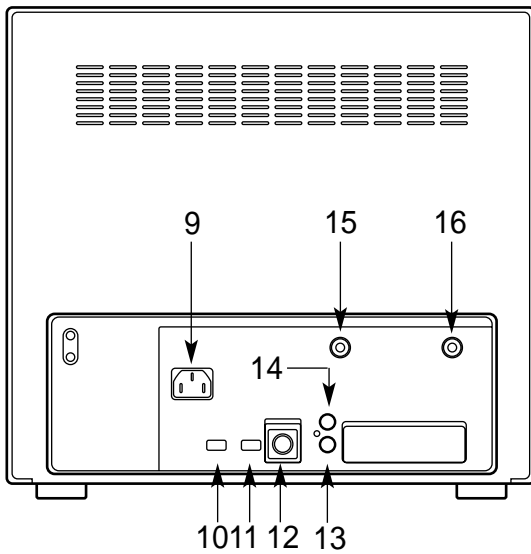
## ● Front View



## ● Side View



## ● Rear View



1. POWER BUTTON
2. VOLUME
3. CONT.
4. BRIGHT
5. COLOR
6. SHARP
7. TINT
8. POWER LED LAMP
9. POWER INLET
10. IMPEDANCE SWITCH(HIGH/75 Ω)
11. S-VHS/CAMERA SWITCH
12. S-VHS JACK
13. AUDIO IN JACK(RCA)
14. AUDIO OUT JACK(RCA)
15. VIDEO OUT JACK(BNC)
16. CAMERA INPUT JACK(BNC)

## ● **LOCATION AND OPERATION OF CONTROLS**

### **1. POWER SWITCH**

Press to turn the monitor ON. The POWER LAMP above the switch will illuminate.

### **2. VOLUME**

Adjust the VOLUME control for the desired audio level. Turn the control clockwise to increase and counterclockwise to decrease.

### **3. CONTRAST**

Adjust the CONTRAST control for the desired overall contrast. Proper adjustment will allow maximum gradations between the darkest and lightest picture areas. Turn the control clockwise to increase and counterclockwise to decrease.

### **4. BRIGHTNESS**

Adjust the BRIGHTNESS control for the desired overall display brightness. This control is also useful to compensate for differences in area lighting. Turn the control clockwise to increase and counterclockwise to decrease.

### **5. COLOR**

Adjust the COLOR control to set the color saturation level. Turn the control clockwise to increase and counterclockwise to decrease.

### **6. SHARPNESS**

Adjust the SHARPNESS control to obtain a clearer picture.

### **7. TINT**

Adjust the TINT control for the proper color phase or flesh tones. When turned counterclockwise, the skin tone becomes reddish. When turned clockwise, skin tone becomes greenish.

### **8. POWER LED LAMP**

Power lamp indicates the power is on.

### **9. POWER INLET**

Please use AC 100-240V, 50/60Hz.

To prevent electrical shocks and fire hazards, do not use any other power source.

### **10. IMPEDANCE SWITCH**

Set the switch to the HIGH position if another monitor is connected to the VIDEO OUTPUT on the rear of the monitor. The last monitor should be set in the 75  $\Omega$  position.

Set the switch to the 75  $\Omega$  position if the VIDEO OUTPUT is not used.

### **11. S-VHS/CAMERA SWITCH**

Set the switch to S-VHS(VIDEO) if you want to see the higher resolution S-VHS as the VIDEO.

Set the switch to CAMERA if input signal is camera signal.

### **12. S-VHS JACK**

If you want to see the S-VHS(VIDEO), please connect directly to this jack.

### **13.14. AUDIO INPUT&OUTPUT CONNECTOR**

Connect an RCA cable between these jacks and the audio jack of a camera or VCR.

### **15.16. VIDEO INPUT&OUTPUT CONNECTORS**

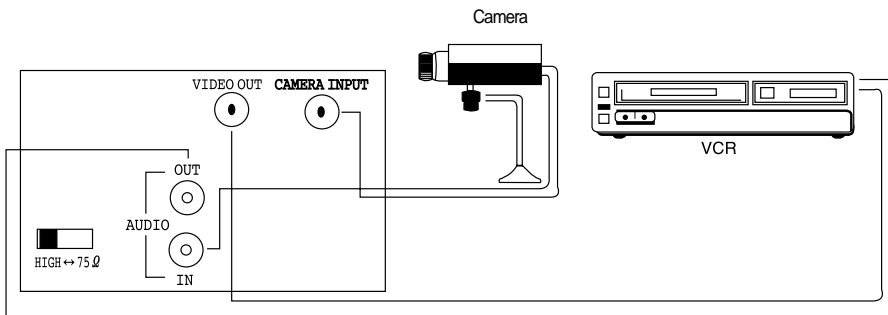
These BNC connectors permit "loop-through" connection of a video signal in those installations where it is desirable to display the video signal on more than one monitor. A standard 1.0Vp-p video signal applied to the VIDEO INPUT will also appear at the VIDEO OUTPUT. Use coaxial cables with BNC type plugs for these connections.

# POSSIBLE CONNECTIONS

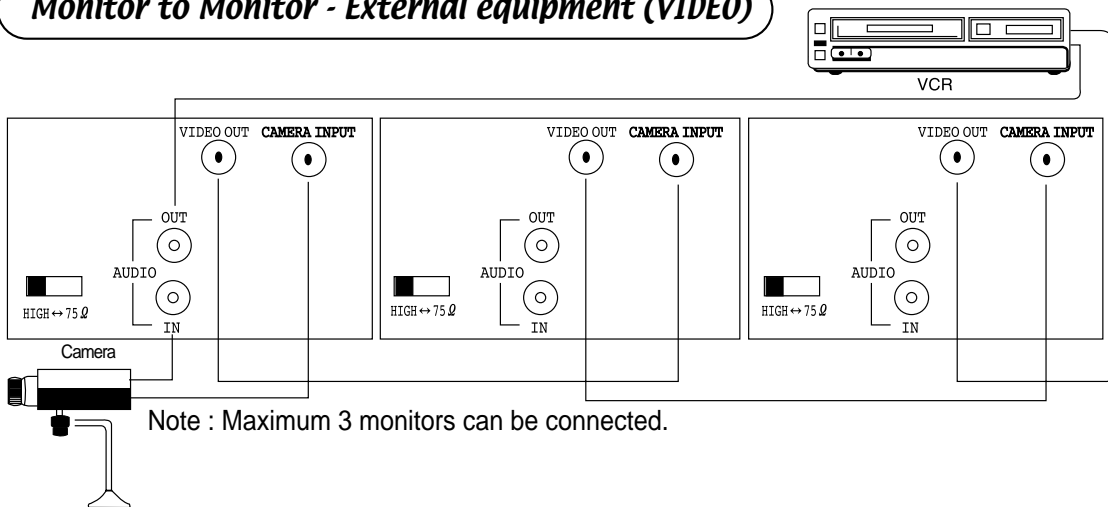
- Please read the installation/operation manual thoroughly before connecting equipment.
- Please turn off the power source before connecting the monitor and external equipment.

(※ VCR INPUT IMPEDANCE : 75 Terminated)

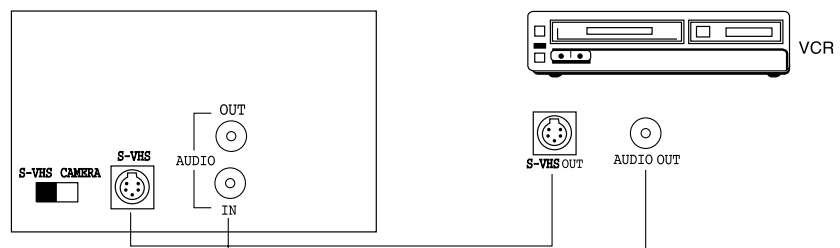
## One Monitor - External equipment (VIDEO)



## Monitor to Monitor - External equipment (VIDEO)



## To use S-VHS(VIDEO) input signal



In this case, please set the switch to the S-VHS(VIDEO) position.

## ● SAFETY INSTRUCTIONS

### 1. READ INSTRUCTIONS

All the safety and operating instructions should be read before the appliance is operated.

### 2. RETAIN INSTRUCTIONS

The safety and operating instructions should be retained for future reference.

### 3. CLEANING

Unplug this video monitor or equipment from the wall outlet before cleaning. Do not use liquid cleaners or aerosol cleaners. Use a damp cloth for cleaning.

### 4. ATTACHMENTS

Do not use attachments not recommended by the video monitor or equipment manufacturer as they may result in the risk of fire, electric shock or injury to persons.

### 5. WATER AND MOISTURE

Do not use this video monitor or equipment near water-for example, near a bathtub, washbowl, kitchen sink, laundry tub, in a wet basement, near a swimming pool, or the like.

### 6. ACCESSORIES

Do not place this video monitor or equipment on an unstable cart, stand or table. The video monitor or equipment may fall, causing serious injury to a child or adult, and serious damage to the equipment, wall or shelf mounting should follow the manufacturer's instructions, and should use a mounting kit approved by the manufacturer.

### 6A. Video monitor or equipment and cart combinations should be moved with care.

Quick tops, excessive force, and uneven surfaces may cause the equipment and cart combination to overturn.



### 7. VENTILATION

Slots and openings in the cabinet and the back or bottom are provided for ventilation and to ensure reliable operation of the video monitor or equipment and to protect it from overheating. These openings must not be blocked or covered. The openings should never be blocked by placing the video monitor or equipment on a bed, sofa, rug, or other similar surface. This video monitor or equipment should not be placed in a built-in installation such as a bookcase unless proper ventilation is provided.

### 8. POWER SOURCES

This video monitor or equipment should be operated only from the type of power source indicated on the marking label. If you are not sure of the type of power supplied on your home, consult your video monitor or equipment dealer or local power company. For video monitor or equipment designed to operate from battery power refer to the operating instructions.

### 9. GROUNDING OR POLARIZATION

This video monitor equipment is provided with a polarized alternating-current line plug (a plug having one blade wider than the other). This plug will fit into the power outlet only way. This is a safety feature. If you are unable to insert the plug full into the outlet, try reversing the plug, if the plug still fail to fit, contact your electrician to replace your obsolete outlet. Do not defeat the safety purpose of the polarized plug.

### 10. POWER CORDS

Do not allow anything to rest on the power cord. Do not place this video monitor or equipment where the cord will be abused by persons walking on it.

### 11. WARNINGS

Follow all instructions marked on the video monitor or equipment.

### 12. LIGHTNING

For added protection for this video monitor or equipment during a lightning storm, or when it is left unattended and unused for long periods of time, unplug it from the wall outlet and disconnect the antenna or cable system. This will prevent damage to the video product due to lightning and power-line surges.

**13. OVERLOADING**

Do not overload wall outlets and extension cords for this can result in a risk of fire or electric shock.

**14. OBJECT AND LIQUID ENTRY**

Never push objects of any kind into this video monitor or equipment through openings for they may touch dangerous voltage points or short-out parts that could result in a fire or electric shock. Never spill liquid of any kind on the product.

**15. SERVICING**

Do not attempt to service this video monitor or equipment yourself for opening or removing covers may expose you to dangerous voltage or other hazards. Refer all servicing to qualified service personnel.

**16. DAMAGE REQUIRING SERVICE**

Unplug this video monitor or equipment from the wall outlet and refer servicing to qualified service personnel under the following conditions.

A. When the power-supply cord or the plug has been damaged.

B. If liquid has been spilled, or objects have fallen into the video product.

C. If the video product has been exposed to rain or water.

D. If the video product does not operate normally by following the operating instructions, adjust only those controls that are covered by the operating instructions as an improper adjustment of other controls may result in damage and will often require extensive work by a qualified technician to restore the video product to its normal operation.

E. If the video product has been dropped, or the cabinet damaged.

F. When the video product exhibits a distinct change in performance this indicates a need for service.

**17. REPLACEMENT PARTS**

When replacement parts are required, be sure the service technician has used replacement parts specified by the manufacturer or that have the same characteristics as the original part. Unauthorized substitutions may result in fire, electric shock or other hazards.

**18. SAFETY CHECK**

Upon completion of any service or repairs to this video product, ask the service technician to perform safety checks to determine that the video product is in proper operating condition.



## ● SPECIFICATIONS

- ▶ Picture Tube 14-inch Diagonal,90° Deflection Angle
- ▶ Power Source 100~240V AC, 50/60 Hz
- ▶ Power Consumption 68Watts
- ▶ System PAL / NTSC
- ▶ Sound output 1.1W
- ▶ Speaker 3W , 77mm X 40mm
- ▶ Terminals Video Input level/Impedance:1.0Vpp/75  $\Omega$   
Video output level/Impedance:1.0Vpp/75  $\Omega$   
Audio Input level/Impedance:0.3Vrms/25K  $\Omega$  over  
Audio Input level/Impedance:0.3Vrms/4.7K  $\Omega$  under
- ▶ Dimensions(W  $\times$  H  $\times$  D) 350  $\times$  320  $\times$  370(mm)
- ▶ Weight Approx. 14kg
- ▶ Ambient Temperature 0-40  $^{\circ}$ C/32-106 $^{\circ}$ F(Performance Range)
- ▶ Accessory Owner's manual

*Design and specifications are subject to change without notice.*