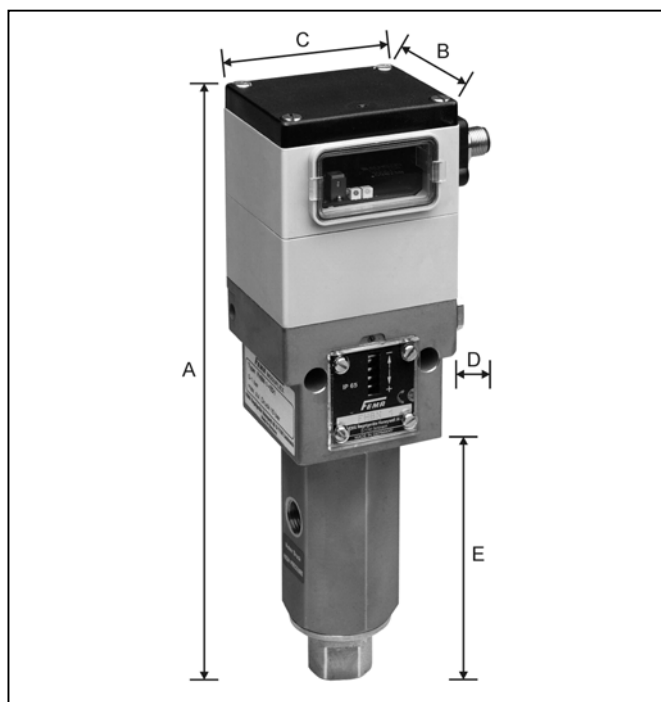


LON Pressure Sensor FHBN...355-L

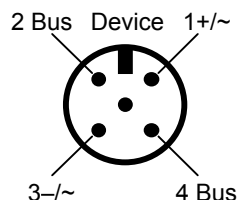
Technical Data



	A	B	C	D	E
mm	230	61	72	25	90

Types	Diff. pressure range / bar	Max. permissible pressure / bar
FHBN 3-355-L	0...2.5	15
FHBN 10-355-L	0...10.0	25

Connection diagram



IP 65

Features

- LONMark® pressure profile #1030
- Uses Echelon LONTalk® protocol
- Direct mounting on the pressure line
- Factory-configured default parameters
- LON service and operation LED visible without disassembly
- Protection class IP 65
- Easy plug connection M 12
- Uses FTT 10A Transceiver
- Barcode with Neuron ID outside

Technical Data

- Cable entry:** Plug connection M 12 four-pole (a four- or five-pole plug may be used)
- Operating voltage:** 24 V AC \pm 20 % or 24 V...36 V DC
- Pressure port:** G 1/4 female
- Materials:** Electronic housing: Macrolon
- Sensors:** FHBN...-355-L stainless steel 1.4571 / 1.4435
FHB...-355-L Perbunan and aluminium
- Installation:** Direct on pressure line or wall mounting
+ high pressure part
- low pressure part
- Max. medium temp.:** +70 °C
- Measuring method:** mechanical-inductive
- Linearity:** \leq 2.5 % FS
- Ambient temperature:** 0...+50 °C
- Power consumption:** max. 1 W
- Transceiver and profile:** FTT 10A Profile 1030#
- Protection class:** IP 65
- Accessories included in delivery:** Plug M 12 five-pole
2 MAU 8 ms